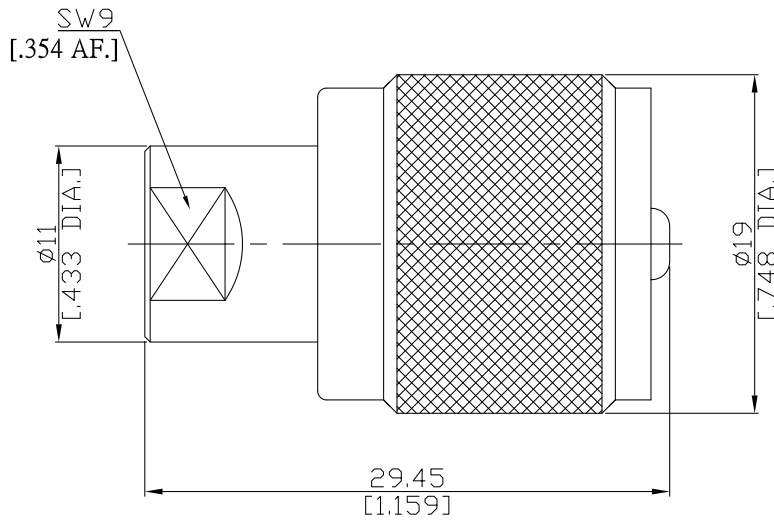


Adaptor plug/plug  
FME plug (male) / UHF plug (male)

AD-E1U15A/13-H33



All dimensions are in mm [inch]  
Tolerances according to DIN ISO 2768-mH

**Interface**

According to MIL-C-39012; MIL-STD-348A/310; IEC 60169-12

**Electrical Data**

Impedance Circa 50 Ω  
Frequency DC to 300 MHz

**Mechanical Data**

Coupling mechanisms UHF (Screw-lock); FME (Screw-lock)  
Weight N/A

**Environmental Data**

Temperature range -65°C to +165°C  
RoHS compliant

**Material And Plating**

Piece Parts (UHF)	Material	Plating
Centre contact	Phosphor Bronze	Gold plating(Nickel underplated)
Body	Brass	Nickel
Insulator	PTFE	
Gasket	Silicone Rubber	
Coupling nut	Brass	Nickel
Piece Parts (FME)	Material	Plating
Centre contact	Brass	Gold plating(Nickel underplated)
Body	Brass	Nickel
Insulator	PTFE	

**Packing**

Single or 100