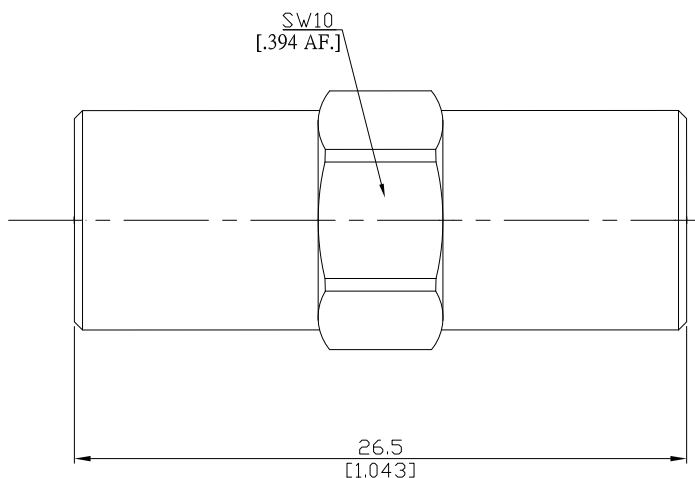


Adaptor plug /plug
FME plug (male) / FME plug (male)

AD-E1E15B/H3-H3



All dimensions are in mm [inch]
Tolerances according to DIN ISO 2768-mH

Interface

According to N/A

Electrical Data

Impedance 50 Ω
Frequency DC to 2.5GHz

Mechanical Data

Coupling mechanisms Screw-lock
Weight N/A

Environmental Data

Temperature range -65°C to +165°C
RoHS compliant

Material And Plating

| Piece Parts (FME) | Material | Plating |
|-------------------|-----------------|----------------------------------|
| Centre contact | Phosphor Bronze | Gold plating(Nickel underplated) |
| Body | Brass | Nickel |
| Insulator | PTFE | |

| Piece Parts (FME) | Material | Plating |
|-------------------|-----------------|----------------------------------|
| Centre contact | Phosphor Bronze | Gold plating(Nickel underplated) |
| Body | Brass | Nickel |
| Insulator | PTFE | |

Packing

Single or 100