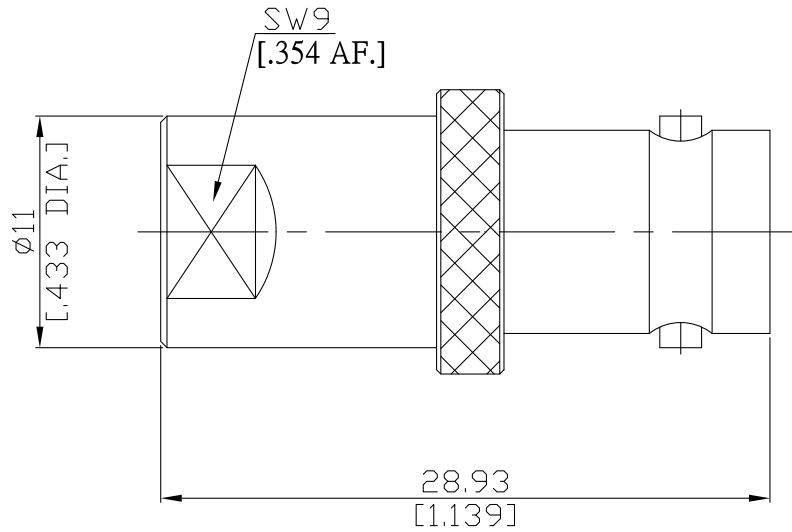


Adaptor plug/jack  
FME plug (male) / BNC jack (female)

AD-E1B25A/H3-H3



All dimensions are in mm [inch]

Tolerances according to DIN ISO 2768-mH

#### Interface

According to IEC 60169-8; MIL-C-39012; MIL-STD-348A/301

#### Electrical Data

Impedance 50 Ω  
Frequency DC to 2.5 GHz

#### Mechanical Data

Coupling mechanisms BNC (Screw-lock) ; FME (Screw-lock)  
Weight N/A

#### Environmental Data

Temperature range -65°C to +165°C  
RoHS compliant

#### Material And Plating

Piece Parts (FME)	Material	Plating
Centre contact	Phosphor Bronze	Gold plating(Nickel underplated)
Body	Brass	Nickel
Insulator	PTFE	
Piece Parts (BNC)	Material	Plating
Centre contact	Phosphor Bronze	Gold plating(Nickel underplated)
Body	Brass	Nickel
Insulator	PTFE	

#### Packing

Single or 100