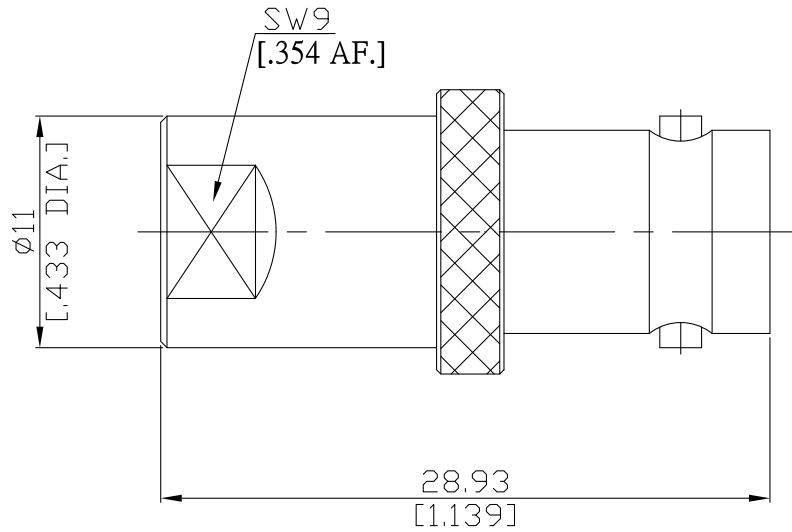


Adaptor plug/jack  
FME plug (male) / BNC jack (female)

AD-E1B25A/14-14



All dimensions are in mm [inch]

Tolerances according to DIN ISO 2768-mH

#### Interface

According to IEC 60169-8; MIL-C-39012; MIL-STD-348A/301

#### Electrical Data

Impedance 50 Ω  
Frequency DC to 2.5 GHz

#### Mechanical Data

Coupling mechanisms BNC (Screw-lock) ; FME (Screw-lock)  
Weight N/A

#### Environmental Data

Temperature range -65°C to +165°C  
RoHS compliant

#### Material And Plating

Piece Parts (FME)	Material	Plating
Centre contact	Brass	Gold plating(Nickel underplated)
Body	Brass	Copper-Tin-Zinc Alloy
Insulator	PTFE	
Piece Parts (BNC)	Material	Plating
Centre contact	Brass	Gold plating(Nickel underplated)
Body	Brass	Copper-Tin-Zinc Alloy
Insulator	PTFE	

#### Packing

Single or 100