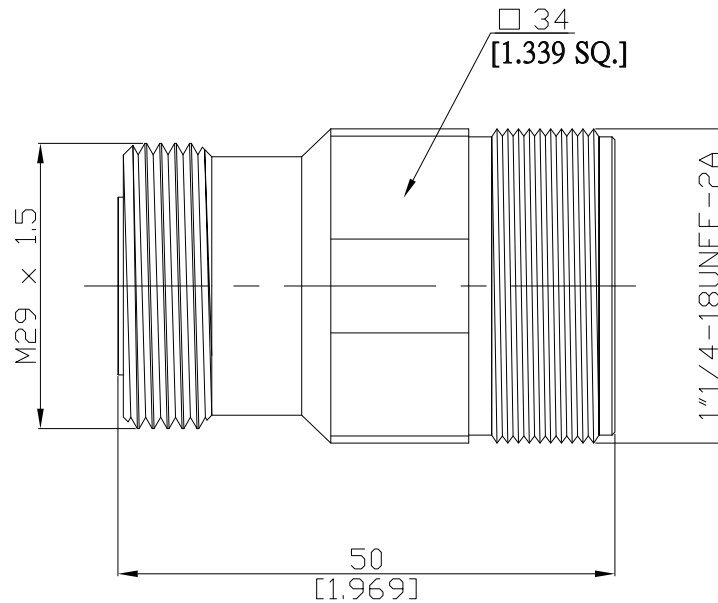




Adaptor jack/jack
7/16 jack (female) / LC jack (female)

AD-D2LC25A/04-04



All dimensions are in mm [inch]
Tolerances according to DIN ISO 2768-mH

Interface

7/16 according to IEC 61169-4
LC according to MIL-STD-348A

Electrical Data

Impedance 50 Ω
Frequency DC to 1 GHz
VSWR (Return loss) ≤ 1.20 (≥ 20.83 dB)
Insertion loss ≤ 0.1 x √f[GHz]

Mechanical Data

Coupling mechanisms 7/16 (Screw-lock); LC (Screw-lock)
Weight N/A

Environmental Data

Temperature range -65°C to +165°C
RoHS compliant

Material And Plating

Piece Parts (7/16)	Material	Plating
Centre contact	Brass	Silver
Body	Brass	Copper-Tin-Zinc Alloy
Insulator	PTFE	

Piece Parts (LC)	Material	Plating
Centre contact	Brass	Silver
Body	Brass	Copper-Tin-Zinc Alloy
Insulator	PTFE	

Packing

Single or 100