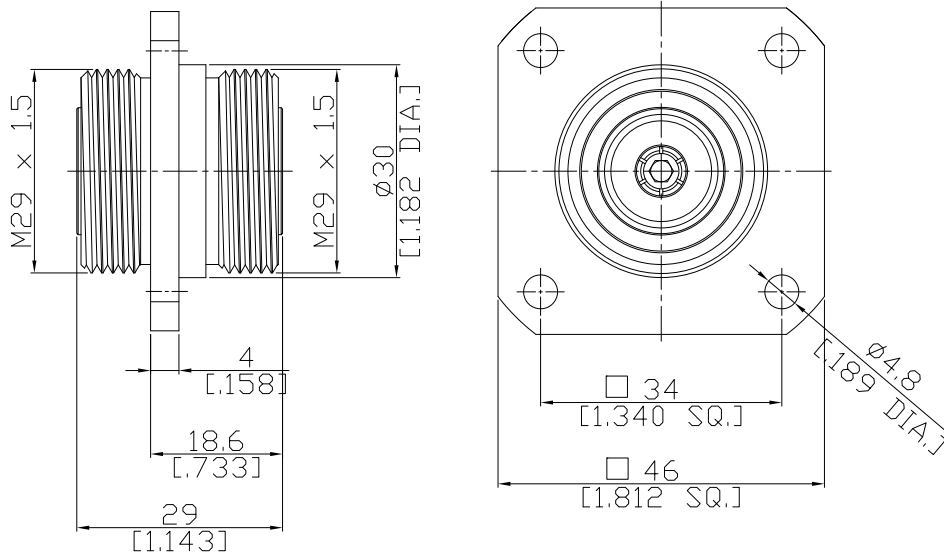


7/16 Jack (Female) / 7/16 Jack (Female) 4-Hole
Panel Adaptor, DC-7.5 GHz, VSWR ≤ 1.20

AD-D2D25A-PF/H4-H4



All dimensions are in mm [inch]
Tolerances according to DIN ISO 2768-mH

Interface

According to IEC 61169-4

Electrical Data

Impedance 50 Ω
Frequency DC to 7.5 GHz
VSWR (Return Loss) ≤ 1.20 (≥ 20.8 dB)

Mechanical Data

Coupling mechanisms Screw-lock
Weight N/A

Environmental Data

Temperature range -65°C to +165°C
RoHS compliant

Material And Plating

Piece Parts (7/16)	Material	Plating
Centre contact	Phosphor Bronze	Gold plating (Nickel underplated)
Body	Brass	Copper-Tin-Zinc Alloy
Insulator	PTFE	
Piece Parts (7/16)	Material	Plating
Centre contact	Phosphor Bronze	Gold plating (Nickel underplated)
Body	Brass	Copper-Tin-Zinc Alloy
Insulator	PTFE	

Packing

Single or 100

Related Document

Mounting Dimension MD8