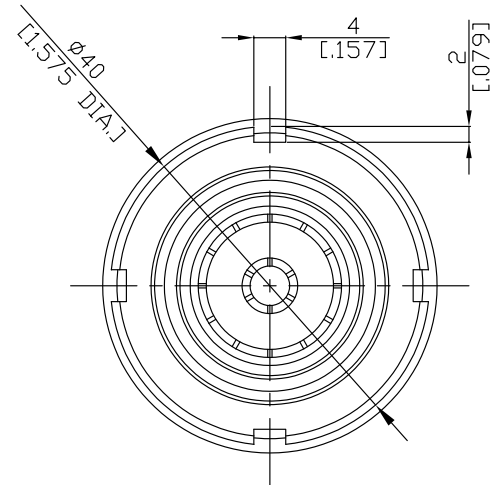
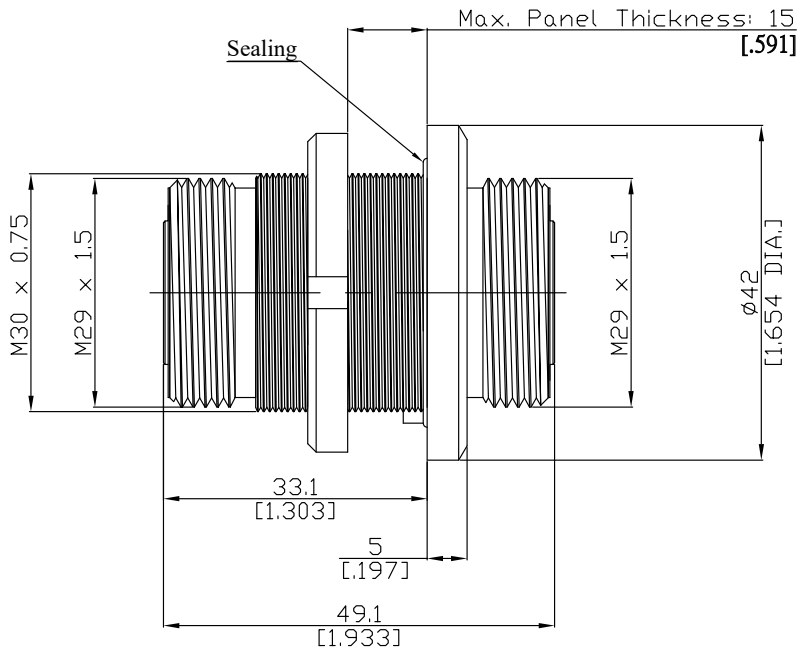


Bulkhead adaptor jack/jack
7/16 jack (female) / 7/16 jack (female)

AD-D2D25A-BH/H4-H4



All dimensions are in mm [inch]

Tolerances according to DIN ISO 2768-mH

Interface
According to CECC 22190; IEC 61169-4

Electrical Data
Impedance 50 Ω
Frequency DC to 7.5 GHz
VSWR (RL) ≤ 1.22 (≥ 20 dB)
Insertion loss ≤ 0.05 dB

Mechanical Data
Coupling mechanisms Screw-lock
Weight N/A

Environmental Data
Temperature range -65°C to +165°C
RoHS compliant

Material And Plating		
Piece Parts (SC)	Material	Plating
Centre contact	Phosphor Bronze	Gold plating(Nickel underplated)
Body	Brass	Copper-Tin-Zinc Alloy
Insulator	PTFE	
Gasket	Silicone Rubber	
Fastening nut	Brass	Copper-Tin-Zinc Alloy
Washer	Brass	Copper-Tin-Zinc Alloy
Material And Plating		
Piece Parts (SC)	Material	Plating
Centre contact	Phosphor Bronze	Gold plating(Nickel underplated)
Body	Brass	Copper-Tin-Zinc Alloy
Insulator	PTFE	

Packing
Single or 100

Related Document
Mounting Dimension MD150

The facts and figures herein are carefully compiled to the best of our knowledge, but they are intended for general informational purposes only. In the effort to improve our products, we reserve the right to make changes judged to be necessary.

Rev.: Rosnol RF/Microwave Technology
www.rosnol.com; info@rosnol.com
Date: 19/11/10 Phone: +886-3-463-5095 / Fax:+886-3-463-5952
N-CAGE Code: SFKK0

Page
1/1