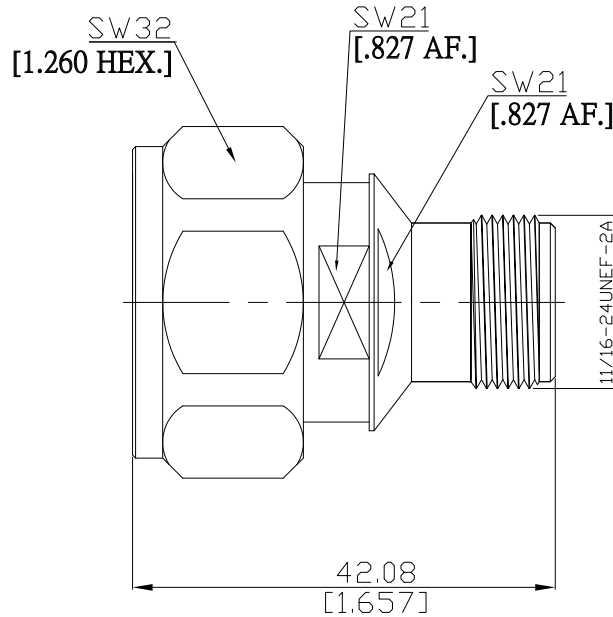


Adaptor plug/jack  
7/16 plug (male) / SC jack (female)

AD-D1SC25A/H44-H4



All dimensions are in mm [inch]  
Tolerances according to DIN ISO 2768-mH

#### Interface

7/16 according to IEC 61169-4  
SC according to MIL-C-39012; MIL-STD-348A/309

#### Electrical Data

Impedance 50 Ω  
Frequency DC to 7.5 GHz

#### Mechanical Data

Coupling mechanisms 7/16 (Screw-lock); SC (Screw-lock)  
Weight N/A

#### Environmental Data

Temperature range -65°C to +165°C  
RoHS compliant

#### Material And Plating

Piece Parts (7/16)	Material	Plating
Centre contact	Phosphor Bronze	Gold plating(Nickel underplated)
Body	Brass	Copper-Tin-Zinc Alloy
Insulator	PTFE	
Coupling nut	Brass	Copper-Tin-Zinc Alloy

Piece Parts (SC)	Material	Plating
Centre contact	Phosphor Bronze	Gold plating(Nickel underplated)
Body	Brass	Copper-Tin-Zinc Alloy
Insulator	PTFE	

#### Packing

Single or 100