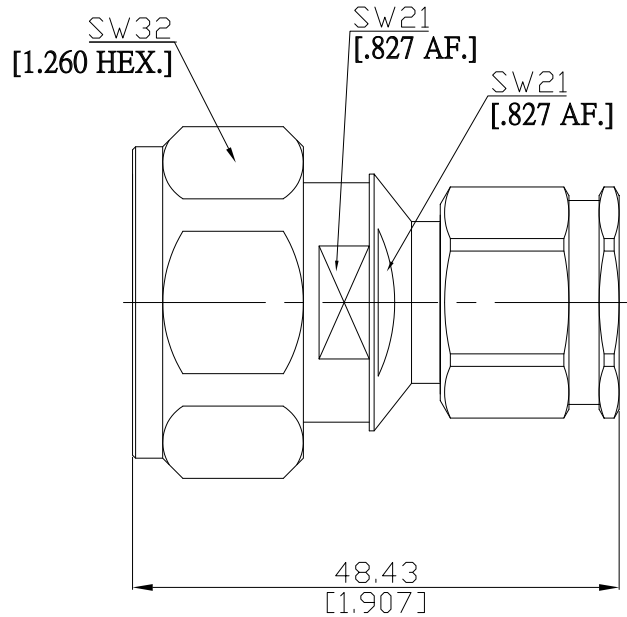


Adaptor plug/plug
7/16 plug (male) / SC plug (male)

AD-D1SC15A/144-144



All dimensions are in mm [inch]
Tolerances according to DIN ISO 2768-mH

Interface

7/16 according to IEC 61169-4
SC according to MIL-C-39012; MIL-STD-348A/309

Electrical Data

Impedance 50 Ω
Frequency DC to 7.5 GHz

Mechanical Data

Coupling mechanisms 7/16 (Screw-lock); SC (Screw-lock)
Weight N/A

Environmental Data

Temperature range -65°C to +165°C
RoHS compliant

Material And Plating

Piece Parts (7/16)	Material	Plating
Centre contact	Brass	Gold plating(Nickel underplated)
Body	Brass	Copper-Tin-Zinc Alloy
Insulator	PTFE	
Coupling nut	Brass	Copper-Tin-Zinc Alloy

Piece Parts (SC)	Material	Plating
Centre contact	Brass	Gold plating(Nickel underplated)
Body	Brass	Copper-Tin-Zinc Alloy
Insulator	PTFE	
Coupling nut	Brass	Copper-Tin-Zinc Alloy

Packing

Single or 100