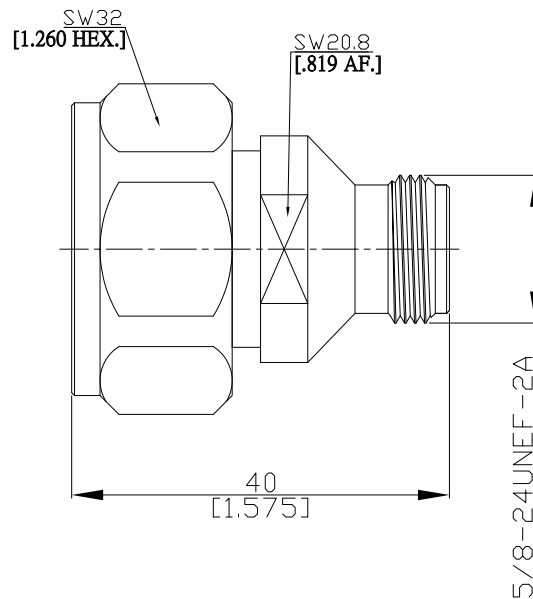


Adaptor plug/jack
7/16 plug (male) / N jack (female)

AD-D1N25A/H44-H4



All dimensions are in mm [inch]

Tolerances according to DIN ISO 2768-mH

Interface

7/16 according to

IEC 61169-4

N according to

IEC 61169-16; CECC 22210; MIL-C-39012; MIL-STD-348A/304

Electrical Data

Impedance

50 Ω

Frequency

DC to 7.5 GHz

VSWR (Return Loss)

≤ 1.2 (≥ 20 dB)

Insertion Loss

≤ 0.05 x √F (GHz) dB

Mechanical Data

Coupling mechanisms

7/16 (Screw-lock); N (Screw-lock)

Weight

0.1285 kg

Environmental Data

Temperature range

-65°C to +165°C

RoHS

compliant

Material And Plating

Piece Parts (7/16)	Material	Plating
Centre contact	Phosphor Bronze	Gold plating (Nickel underplated)
Body	Brass	Copper-Tin-Zinc Alloy
Insulator	PTFE	
Gasket	Silicone Rubber	
Coupling nut	Brass	Copper-Tin-Zinc Alloy
Piece Parts (N)	Material	Plating
Centre contact	Phosphor Bronze	Gold plating (Nickel underplated)
Body	Brass	Copper-Tin-Zinc Alloy
Insulator	PTFE	

Packing

Single or 100