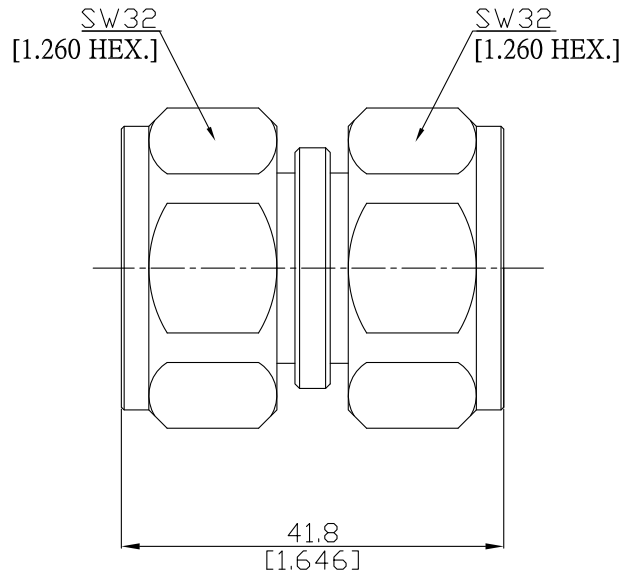


Adaptor plug/plug
7/16 plug (male) / 7/16 plug (male)

AD-D1D15A/044-044



All dimensions are in mm [inch]
Tolerances according to DIN ISO 2768-mH

Interface

According to N/A

Electrical Data

Impedance 50 Ω
Frequency DC to 7.5 GHz
VSWR (Return Loss) ≤ 1.15 (≥ 23.13 dB)
Insertion Loss ≤ 0.5 × √F (GHz) dB

Mechanical Data

Coupling mechanisms Screw-lock
Weight 0.1528 kg

Environmental Data

Temperature range -65°C to +165°C
RoHS compliant

Material And Plating

Piece Parts (7/16)	Material	Plating
Centre contact	Brass	Silver
Body	Brass	Copper-Tin-Zinc Alloy
Insulator	PTFE	
Gasket	Silicone Rubber	
Coupling nut	Brass	Copper-Tin-Zinc Alloy
Piece Parts (7/16)	Material	Plating
Centre contact	Brass	Silver
Body	Brass	Copper-Tin-Zinc Alloy
Insulator	PTFE	
Gasket	Silicone Rubber	
Coupling nut	Brass	Copper-Tin-Zinc Alloy

Packing

Single or 100