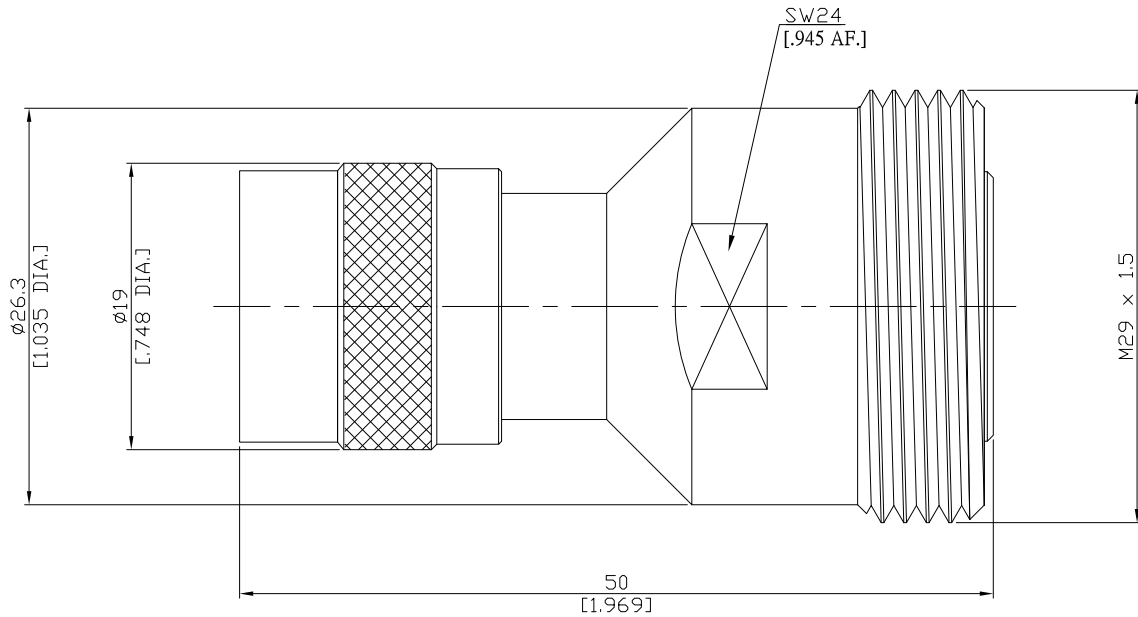


Adaptor plug/jack
C plug (male) / 7/16 jack (female)

AD-C1D25A/H44-H4



All dimensions are in mm [inch]

Tolerances according to DIN ISO 2768-mH

Interface

C side according to

MIL-C-39012; MIL-STD-348A/302

7/16 side according to

IEC 61169-4

Electrical Data

Impedance

50 Ω

Frequency

DC to 7.5 GHz

Mechanical Data

Coupling mechanisms

C (Two-stud bayonet) ; 7/16 (Screw-lock)

Weight

N/A

Environmental Data

Temperature range

-65°C to +165°C

RoHS

compliant

Material And Plating

Piece Parts (C)	Material	Plating
Centre contact	Phosphor Bronze	Gold plating(Nickel underplated)
Body	Brass	Copper-Tin-Zinc Alloy
Insulator	PTFE	
Coupling nut	Brass	Copper-Tin-Zinc Alloy
Piece Parts (7/16)	Material	Plating
Centre contact	Phosphor Bronze	Gold plating(Nickel underplated)
Body	Brass	Copper-Tin-Zinc Alloy
Insulator	PTFE	

Packing

Single or 100