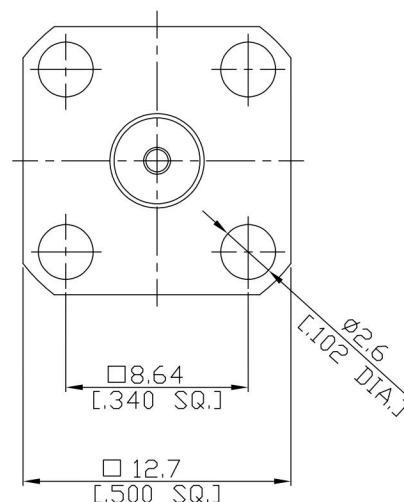
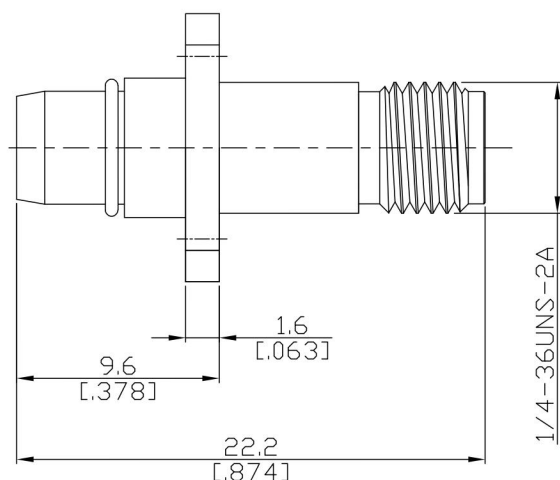


BMA Plug (Male) to SMA Jack (Female)  
4 Hole Flange Mount Slide-On Adapter

AD-BA1A25A-PF/91-91



All dimensions are in mm [inch]  
Tolerances according to DIN ISO 2768-mH

**Interface**

BMA according to IEC 61169-33; MIL-STD-348A/321  
SMA according to IEC 60169-15; MIL-STD-348A/310

**Electrical Data**

Impedance 50 Ω  
Frequency DC to 18 GHz  
VSWR (Return Loss) ≤ 1.25 (≥ 19.08 dB)  
Insertion Loss ≤ 0.05 x √F (GHz) dB

**Mechanical Data**

Coupling mechanisms BMA (Slide-on); SMA (Screw-lock)  
Weight N/A

**Environmental Data**

Temperature range -65°C to +165°C  
RoHS compliant

**Material And Plating**

Piece Parts (BMA)	Material	Plating
Centre contact	Beryllium Copper	Gold plating(Nickel underplated)
Body	Brass	Gold plating(Nickel underplated)
Insulator	PTFE	

Piece Parts (SMA)	Material	Plating
Centre contact	Beryllium Copper	Gold plating(Nickel underplated)
Body	Brass	Gold plating(Nickel underplated)
Insulator	PTFE	
Outer contact	Brass	Gold plating(Nickel underplated)

**Packing**

Single or 100

**Related Document**

Mounting Dimension MD10