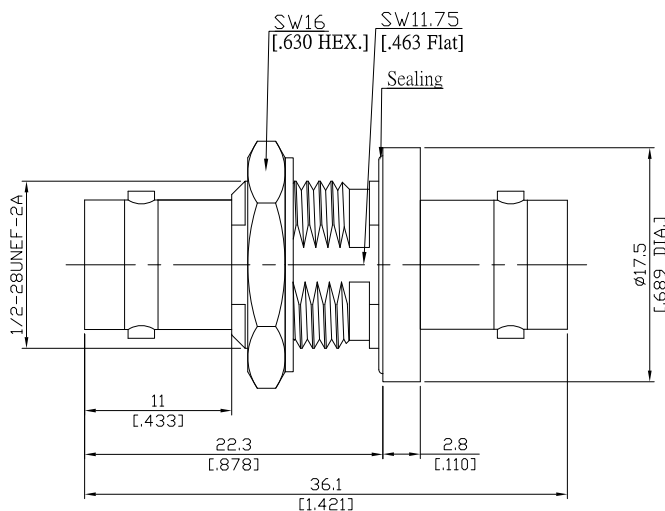




Bulkhead adaptor jack/jack  
BNC jack (female) / BNC jack (female)

AD-B2B25A-BH/93-93



All dimensions are in mm [inch]  
Tolerances according to DIN ISO 2768-mH

#### Interface

According to IEC 61169-8; MIL-C-39012; MIL-STD-348A/301

#### Electrical Data

Impedance 50 Ω  
Frequency DC to 4 GHz  
VSWR (Return loss) DC-1 GHz: ≤ 1.15 (≥ 23.13 dB) 1-4 GHz: ≤ 1.20 (≥ 20.8 dB)  
Insertion loss ≤ 0.1 × √F [GHz] dB  
Working Voltage 2500 Vrms  
RF leakage < 90 dB

#### Mechanical Data

Coupling mechanisms Bayonet-lock  
Weight N/A  
Mating cycles ≥ 500

#### Environmental Data

Temperature range -65°C to +165°C  
RoHS compliant  
Thermal shock MIL-STD-202, Meth. 107B  
Moisture resistance MIL-STD-202, Meth. 106B  
Corrosion MIL-STD-202, Meth. 101-B

#### Material And Plating

| Piece Parts (BNC) | Material         | Plating                          |
|-------------------|------------------|----------------------------------|
| Centre contact    | Beryllium Copper | Gold plating(Nickel underplated) |
| Body              | Brass            | Nickel                           |
| Insulator         | PTFE             |                                  |
| Gasket            | Silicone Rubber  |                                  |
| Fastening nut     | Brass            | Nickel                           |
| Washer            | Brass            | Nickel                           |
| Piece Parts (BNC) | Material         | Plating                          |
| Centre contact    | Beryllium Copper | Gold plating(Nickel underplated) |
| Body              | Brass            | Nickel                           |
| Insulator         | PTFE             |                                  |

Bulkhead adaptor jack/jack  
BNC jack (female) / BNC jack (female)

AD-B2B25A-BH/93-93

Packing

Single or 100

Related Document

Mounting Dimension

MD7