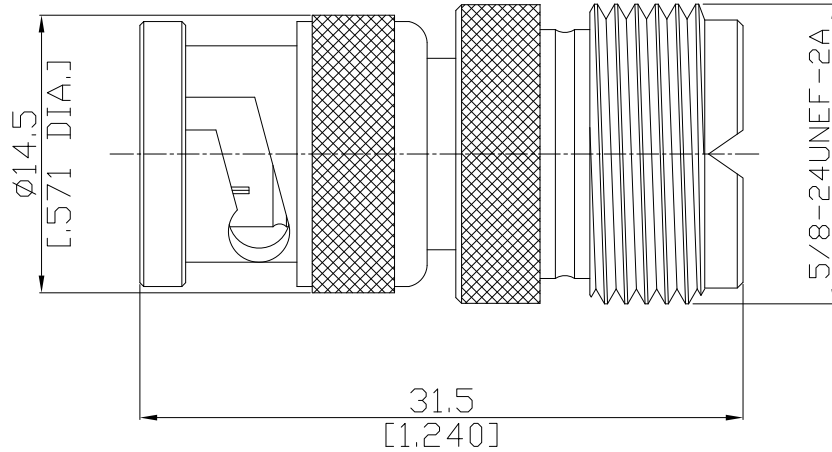




Adaptor plug/jack
BNC plug (male) / UHF jack (female)

AD-B1U25A/H33-H3



All dimensions are in mm [inch]
Tolerances according to DIN ISO 2768-mH

Interface

According to MIL-C-39012 ; MIL-STD-348A/301

Electrical Data

Impedance BNC (50 Ω) ; UHF (non-constant)
Frequency DC to 300 MHz

Mechanical Data

Coupling mechanisms BNC (Bayonet-lock) ; UHF (Screw-lock)
Weight 0.0157 kg

Environmental Data

Temperature range -55°C to +149°C
RoHS compliant

Material And Plating

Piece Parts (BNC)	Material	Plating
Centre contact	Phosphor Bronze	Gold plating(Nickel underplated)
Body	Brass	Nickel
Insulator	PTFE	
Gasket	Silicone Rubber	
Coupling nut	Brass	Nickel
Piece Parts (UHF)	Material	Plating
Centre contact	Phosphor Bronze	Gold plating(Nickel underplated)
Body	Brass	Nickel
Insulator	PTFE	

Packing

Single or 100