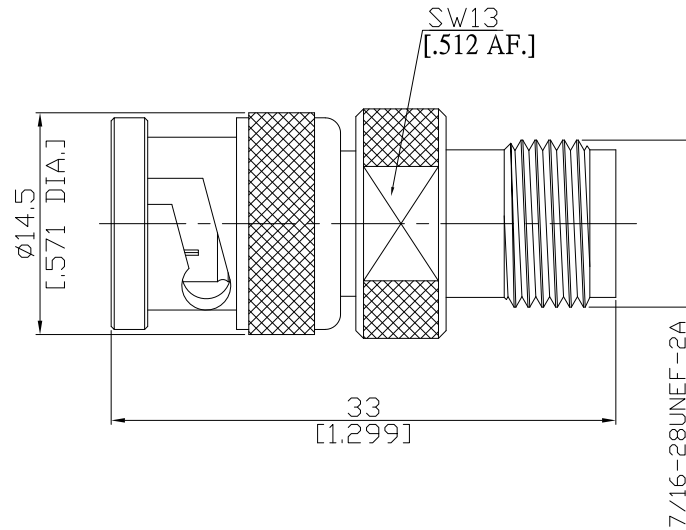




**Adaptor Plug / Jack**  
BNC plug (male) / TNC jack (female)

AD-B1T25A/H33-H3



All dimensions are in mm [inch]  
Tolerances according to DIN ISO 2768-mH

**Interface**

BNC side according to IEC 60169-8; MIL-C-39012; MIL-STD-348A/301  
TNC side according to IEC 61169-17; MIL-C-39012; MIL-STD-348A/313

**Electrical Data**

Impedance 50 Ω  
Frequency DC to 4 GHz  
VSWR (Return Loss) ≤ 1.15 (≥ 23.1a dB)  
Insertion Loss ≤ 0.05 x √F (GHz) dB

**Mechanical Data**

Coupling mechanisms BNC (Bayonet-lock) ; TNC (Screw-lock)  
Weight 0.0155 kg

**Environmental Data**

Temperature range -65°C to +165°C  
RoHS compliant

**Material And Plating**

Piece Parts (BNC)	Material	Plating
Centre contact	Phosphor Bronze	Gold plating(Nickel underplated)
Body	Brass	Nickel
Insulator	PTFE	
Gasket	Silicone Rubber	
Coupling nut	Brass	Nickel
Piece Parts (TNC)	Material	Plating
Centre contact	Phosphor Bronze	Gold plating(Nickel underplated)
Body	Brass	Nickel
Insulator	PTFE	

**Packing**

Single or 100