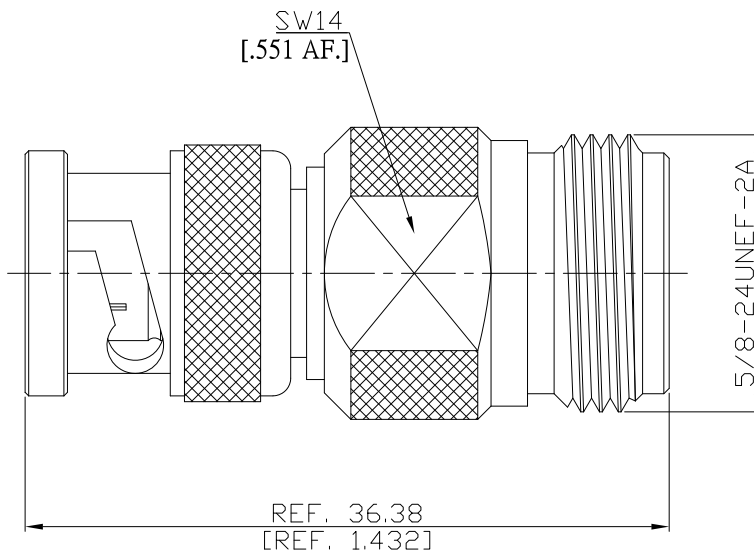




BNC plug (male) to N jack (female)
Adapter

AD-B1N25A/144-94



All dimensions are in mm [inch]
Tolerances according to DIN ISO 2768-mH

Interface

BNC side according to IEC 60169-8; MIL-STD-348A/301
N side according to IEC 61169-16; MIL-STD-348A/304

Electrical Data

Impedance 50 Ω
Frequency DC to 4 GHz
VSWR (Return Loss) ≤ 1.15 (≥ 23.13 dB)
Insertion Loss ≤ 0.05 x √F(GHz) dB

Mechanical Data

Coupling mechanisms BNC (Bayonet-lock) ; N (Screw-lock)
Weight N/A

Environmental Data

Temperature range -65°C to +165°C
RoHS compliant

Material And Plating

Piece Parts (BNC)	Material	Plating
Centre contact	Brass	Gold plating(Nickel underplated)
Body	Brass	Copper-Tin-Zinc Alloy
Insulator	PTFE	
Gasket	Silicone Rubber	
Coupling nut	Brass	Copper-Tin-Zinc Alloy
Piece Parts (N)	Material	Plating
Centre contact	Beryllium Copper	Gold plating(Nickel underplated)
Body	Brass	Copper-Tin-Zinc Alloy
Insulator	PTFE	

Packing

Single or 100