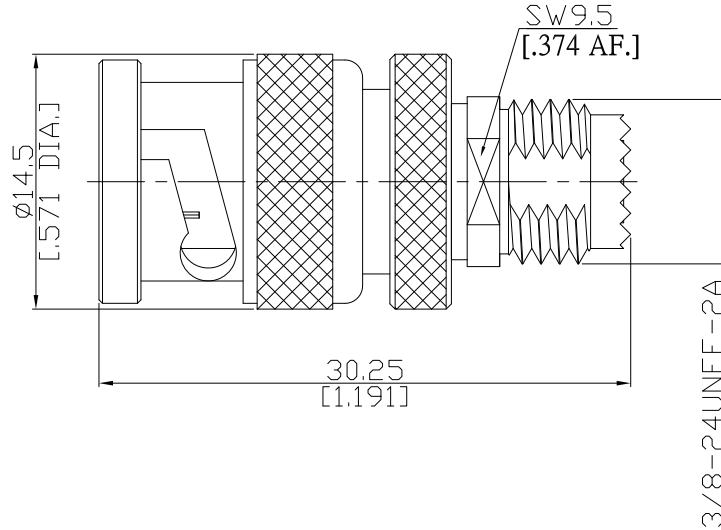




Adaptor plug/jack
BNC plug (male) / Mini UHF jack (female)

AD-B1MU25A/944-94



All dimensions are in mm [inch]
Tolerances according to DIN ISO 2768-mH

Interface

BNC according to IEC 60169-8; MIL-C-39012; MIL-STD-348A/301
Mini UHF according to IEC 60169-12

Electrical Data

Impedance 50 Ω
Frequency DC to 2.5 GHz

Mechanical Data

Coupling mechanisms BNC (Bayonet-lock) ; Mini UHF (Screw-lock)
Weight 0.0155 kg

Environmental Data

Temperature range -65°C to +165°C
RoHS compliant

Material And Plating

Piece Parts (BNC)	Material	Plating
Centre contact	Beryllium Copper	Gold plating(Nickel underplated)
Body	Brass	Copper-Tin-Zinc Alloy
Insulator	PTFE	
Gasket	Silicone Rubber	
Coupling nut	Brass	Copper-Tin-Zinc Alloy
Piece Parts (Mini UHF)	Material	Plating
Centre contact	Beryllium Copper	Gold plating(Nickel underplated)
Body	Brass	Copper-Tin-Zinc Alloy
Insulator	PTFE	

Packing

Single or 100