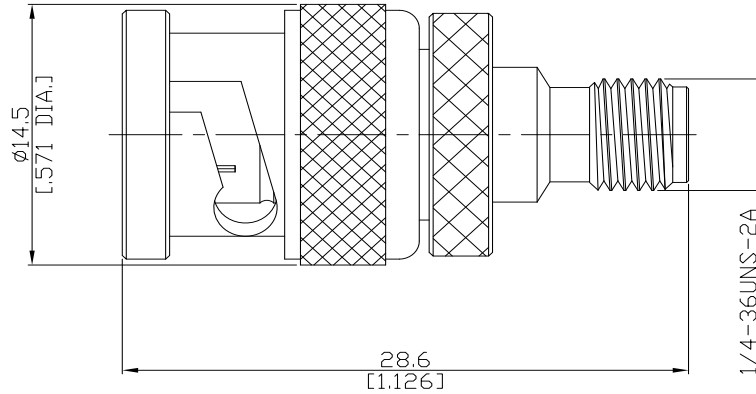




Adaptor plug/jack
BNC plug (male) / SMA jack (female)

AD-B1A25A/H44-H4



All dimensions are in mm [inch]

Tolerances according to DIN ISO 2768-mH

Interface

According to

BNC Side: MIL-C-39012;MIL-STD-348A/301

SMA Side: MIL-C-39012;MIL-STD-348A/310

Electrical Data

Impedance

50 Ω

Frequency

DC to 4 GHz

VSWR (Return Loss)

≤ 1.15 (≥ 23.13 dB)

Insertion Loss

≤ 0.04 x √F (GHz) dB

Mechanical Data

Coupling mechanisms

BNC (Bayonet-lock) ; SMA (Screw-lock)

Weight

0.0149 kg

Environmental Data

Temperature range

-65°C to +165°C

RoHS

compliant

Material And Plating

Piece Parts (BNC)	Material	Plating
Centre contact	Phosphor Bronze	Gold plating(Nickel underplated)
Body	Brass	Copper-Tin-Zinc Alloy
Insulator	PTFE	
Gasket	Silicone Rubber	
Coupling nut	Brass	Copper-Tin-Zinc Alloy
Piece Parts (SMA)	Material	Plating
Centre contact	Phosphor Bronze	Gold plating(Nickel underplated)
Body	Brass	Copper-Tin-Zinc Alloy
Insulator	PTFE	

Packing

Single or 100