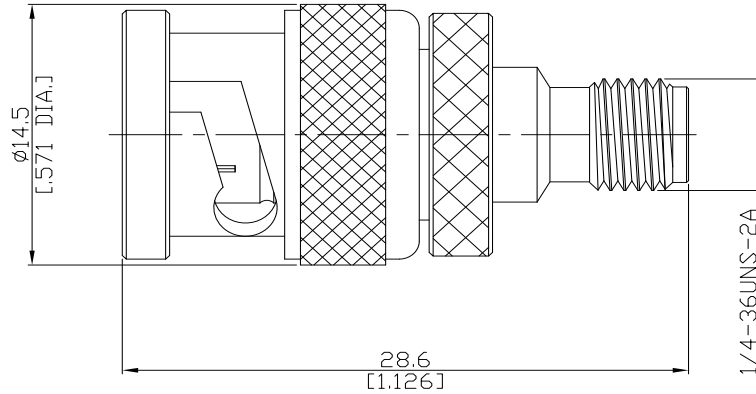




Adaptor plug/jack
BNC plug (male) / SMA jack (female)

AD-B1A25A/H33-H3



All dimensions are in mm [inch]

Tolerances according to DIN ISO 2768-mH

Interface

According to

BNC Side: IEC 60169-8; CECC 22120; MIL-C-39012; MIL-STD-348A/301

SMA Side: IEC 60169-15; MIL-C-39012; MIL-STD-348A/310

Electrical Data

Impedance	50 Ω
Frequency	DC to 6 GHz
VSWR (Return Loss)	≤ 1.2 (≥ 20.83 dB)
Insertion Loss	≤ 0.05 × √F (GHz) dB

Mechanical Data

Coupling mechanisms	BNC (Bayonet-lock); SMA (Screw-lock)
Weight	0.0149 kg

Environmental Data

Temperature range	-65°C to +165°C
RoHS	compliant

Material And Plating

Piece Parts (BNC)	Material	Plating
Centre contact	Phosphor Bronze	Gold plating (nickel underplating)
Body	Brass	Nickel
Insulator	PTFE	
Gasket	Silicone Rubber	
Coupling nut	Brass	Nickel
Piece Parts (SMA)	Material	Plating
Centre contact	Phosphor Bronze	Gold plating (nickel underplating)
Body	Brass	Nickel
Insulator	PTFE	

Packing

Single or 100