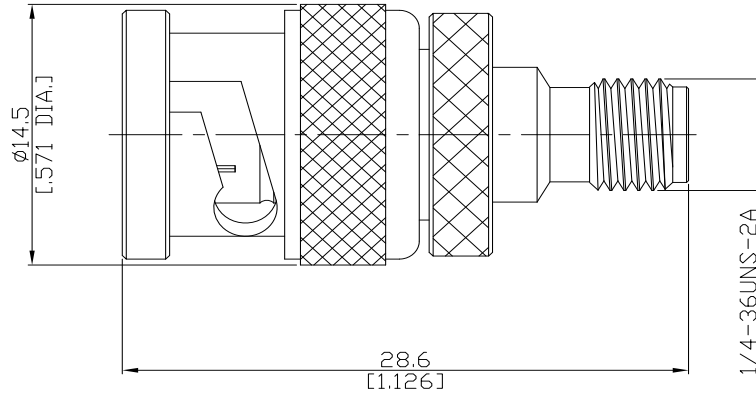




Adaptor plug/jack
BNC plug (male) / SMA jack (female)

AD-B1A25A/933-93



All dimensions are in mm [inch]

Tolerances according to DIN ISO 2768-mH

Interface

According to

BNC Side: MIL-C-39012; MIL-STD-348A/301

SMA Side: MIL-C-39012; MIL-STD-348A/310

Electrical Data

Impedance 50 Ω
 Frequency DC to 4 GHz
 VSWR (Return Loss) ≤ 1.2 (≥ 20.83 dB)
 Insertion Loss ≤ 0.04 x √F (GHz) dB

Mechanical Data

Coupling mechanisms BNC (Bayonet-lock); SMA (Screw-lock)
 Weight 0.0149 kg

Environmental Data

Temperature range -65°C to +165°C
 RoHS compliant

Material And Plating

Piece Parts (BNC)	Material	Plating
Centre contact	Beryllium Copper	Gold plating(Nickel underplated)
Body	Brass	Nickel
Insulator	PTFE	
Gasket	Silicone Rubber	
Coupling nut	Brass	Nickel
Piece Parts (SMA)	Material	Plating
Centre contact	Beryllium Copper	Gold plating(Nickel underplated)
Body	Brass	Nickel
Insulator	PTFE	

Packing

Single or 100