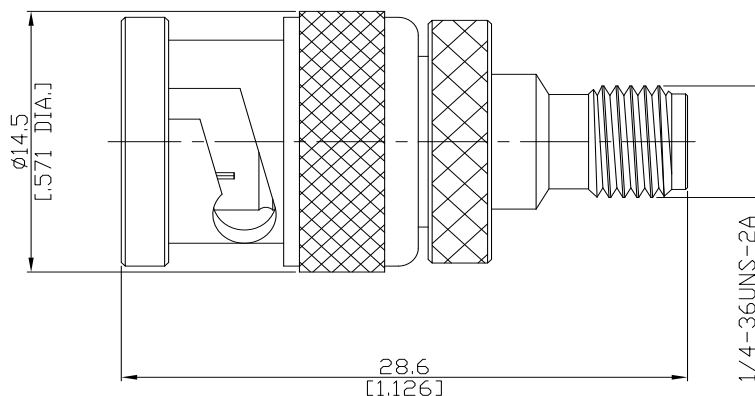


Adaptor plug/jack  
BNC plug (male) / SMA jack (female)

AD-B1A25A/933-91



All dimensions are in mm [inch]

Tolerances according to DIN ISO 2768-mH

#### Interface

According to

BNC Side: IEC 60169-8; CECC 22120; MIL-C-39012; MIL-STD-348A/301

SMA Side: IEC 60169-15; MIL-C-39012; MIL-STD-348A/310

#### Electrical Data

Impedance

50 Ω

Frequency

DC to 6 GHz

VSWR (Return Loss)

DC-4 GHz: ≤ 1.15 (≥ 23.13 dB)    4-6 GHz: ≤ 1.2 (≥ 20.83 dB)

Insertion Loss

≤ 0.05 × √F (GHz) dB

#### Mechanical Data

Coupling mechanisms

BNC (Bayonet-lock); SMA (Screw-lock)

Weight

0.0149 kg

#### Environmental Data

Temperature range

-65°C to +165°C

RoHS

compliant

#### Material And Plating

Piece Parts (BNC)	Material	Plating
Centre contact	Beryllium Copper	Gold plating (nickel underplating)
Body	Brass	Nickel
Insulator	PTFE	
Gasket	Silicone Rubber	
Coupling nut	Brass	Nickel
Piece Parts (SMA)	Material	Plating
Centre contact	Beryllium Copper	Gold plating (nickel underplating)
Body	Brass	Gold plating (nickel underplating)
Insulator	PTFE	

#### Packing

Single or 100