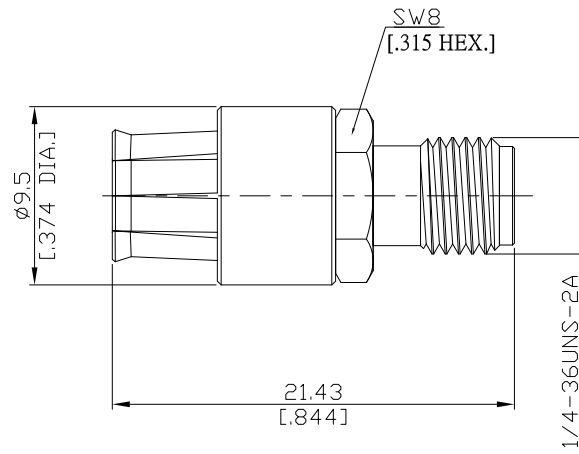


Adaptor Plug / Jack
SMA Snap-on plug (male) / SMA jack (female)

AD-AQ1A25B/91X-91



All dimensions are in mm [inch]
Tolerances according to DIN ISO 2768-mH

Interface

According to IEC 60169-15; MIL-C-39012; MIL-STD-348A/310

Electrical Data

Impedance 50 Ω
Frequency DC to 18 GHz
VSWR (Return Loss) ≤ 1.15 (≥ 23.1 dB)
Insertion Loss ≤ 0.05 x √F [GHz] dB

Mechanical Data

Coupling mechanisms SMA Snap-On male (Snap-lock), SMA female (Screw-lock)
Weight 0.004 kg

Environmental Data

Temperature range -65°C to +165°C
RoHS compliant

Material And Plating

Piece Parts (SMA Snap-on)	Material	Plating
Centre contact	Beryllium Copper	Gold plating(Nickel underplated)
Body	Brass	Gold plating(Nickel underplated)
Insulator	PTFE	
Gasket	Silicone Rubber	
Coupling spring	Stainless Steel	Passivated
Piece Parts (SMA)	Material	Plating
Centre contact	Beryllium Copper	Gold plating(Nickel underplated)
Body	Brass	Gold plating(Nickel underplated)
Insulator	PTFE	

Packing

Single or 100