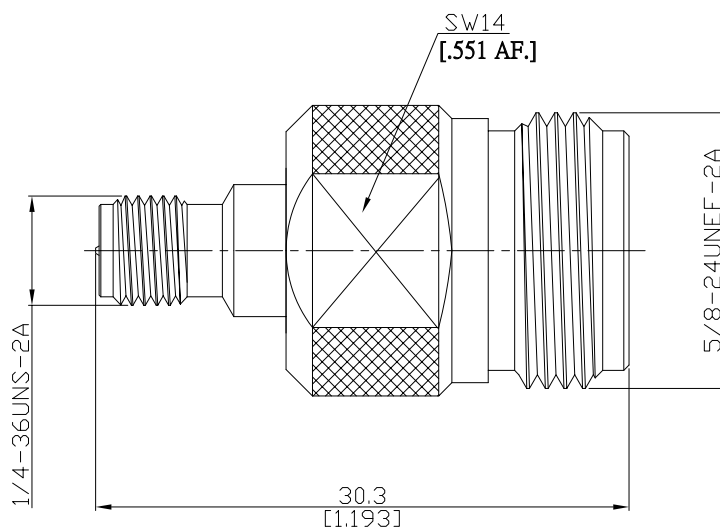


Adaptor RP jack/jack  
SMA RP jack (RP female) / N jack (female)

AD-A7N25A/H4-H4



All dimensions are in mm [inch]  
Tolerances according to DIN ISO 2768-mH

**Interface**

Reverse polarity SMA derived from IEC 60169-15; MIL-STD-348A/310  
N according to IEC 61169-16; MIL-STD-348A/304

**Electrical Data**

Impedance 50 Ω  
Frequency DC to 12 GHz  
VSWR (Return Loss) ≤ 1.15 (≥ 23.13 dB)  
Insertion Loss ≤ 0.05 x √F (GHz) dB

**Mechanical Data**

Coupling mechanisms RP SMA (Screw-lock); N (Screw-lock)  
Weight N/A

**Environmental Data**

Temperature range -65°C to +165°C  
RoHS compliant

**Material And Plating**

Piece Parts (RP SMA)	Material	Plating
Centre contact	Phosphor Bronze	Gold plating(Nickel underplated)
Body	Brass	Copper-Tin-Zinc Alloy
Insulator	PTFE	

Piece Parts (N)	Material	Plating
Centre contact	Phosphor Bronze	Gold plating(Nickel underplated)
Body	Brass	Copper-Tin-Zinc Alloy
Insulator	PTFE	

**Packing**

Single or 100