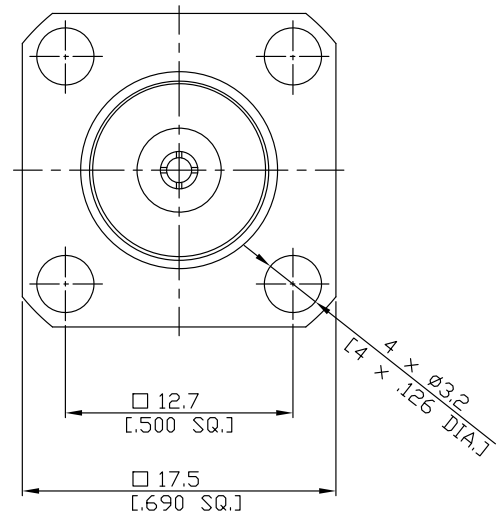
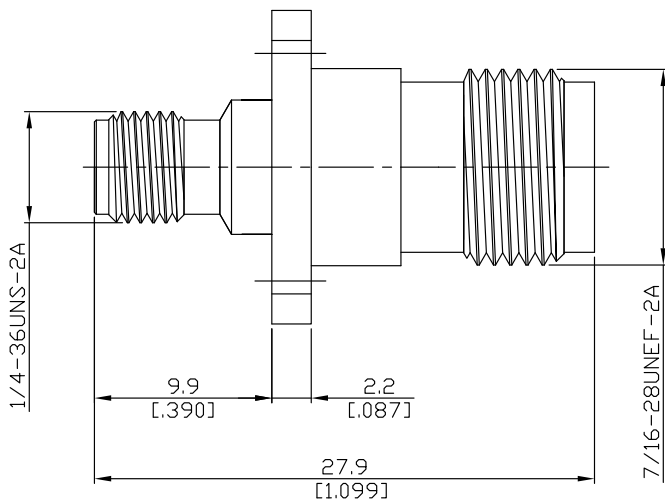


SMA Jack (Female) to TNC Jack (Female)
Panel 4 Hole Flange Mount Adapter

AD-A2T25A-PF/91-94



All dimensions are in mm [inch]
Tolerances according to DIN ISO 2768-mH

Interface

According to SMA side: IEC 60169-15, MIL-STD-348A/310
TNC side: IEC 60169-17, MIL-PRF-39012

Electrical Data

Impedance 50 Ω
Frequency DC to 11 GHz
VSWR (Return Loss) ≤ 1.20 (≥ 20.83 dB)
Insertion Loss ≤ 0.05 x √F [GHz] dB

Mechanical Data

Coupling mechanisms SMA (Screw-lock) ; TNC (Screw-lock)
Weight N/A

Environmental Data

Temperature range -65°C to +165°C
RoHS compliant

Material And Plating

Piece Parts (SMA)	Material	Plating
Centre contact	Beryllium Copper	Gold plating(Nickel underplated)
Body	Brass	Gold plating(Nickel underplated)
Insulator	PTFE	

Piece Parts (TNC)	Material	Plating
Centre contact	Beryllium Copper	Gold plating(Nickel underplated)
Body	Brass	Copper-Tin-Zinc Alloy
Insulator	PTFE	

Packing

Single or 100