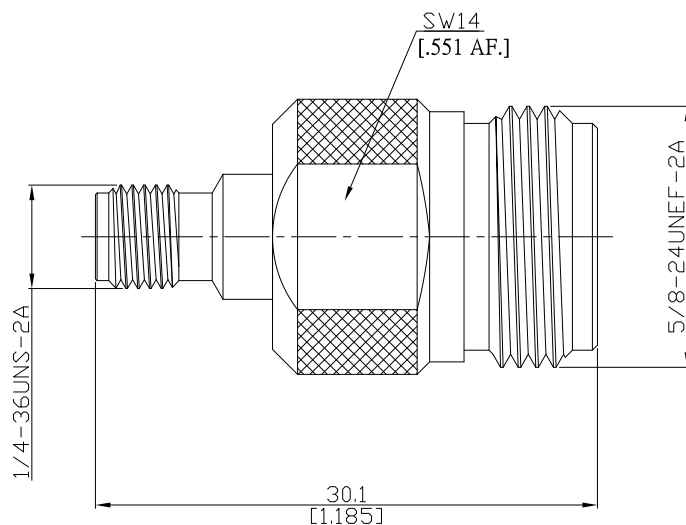


Adaptor jack/jack
SMA jack (female) / N jack (female)

AD-A2N25A/91-H3



All dimensions are in mm [inch]
Tolerances according to DIN ISO 2768-mH

Interface

SMA According to IEC 60169-15; MIL-C-39012; MIL-STD-348A/310
N According to IEC 61169-16; MIL-C-39012; MIL-STD-348A/304

Electrical Data

Impedance 50 Ω
Frequency DC to 12 GHz
VSWR (Return Loss) ≤ 1.15 (≥ 23.13 dB)
Insertion Loss ≤ 0.05 x √F (GHz) dB

Mechanical Data

Coupling mechanisms SMA (Screw-lock); N (Screw-lock)
Weight 0.0190 kg

Environmental Data

Temperature range -65°C to +165°C
RoHS compliant

Material And Plating

Piece Parts (SMA)	Material	Plating
Centre contact	Beryllium Copper	Gold plating(Nickel underplated)
Body	Brass	Gold plating(Nickel underplated)
Insulator	PTFE	

Piece Parts (N)	Material	Plating
Centre contact	Beryllium Copper	Gold plating(Nickel underplated)
Body	Brass	Nickel
Insulator	PTFE	

Packing

Single or 100