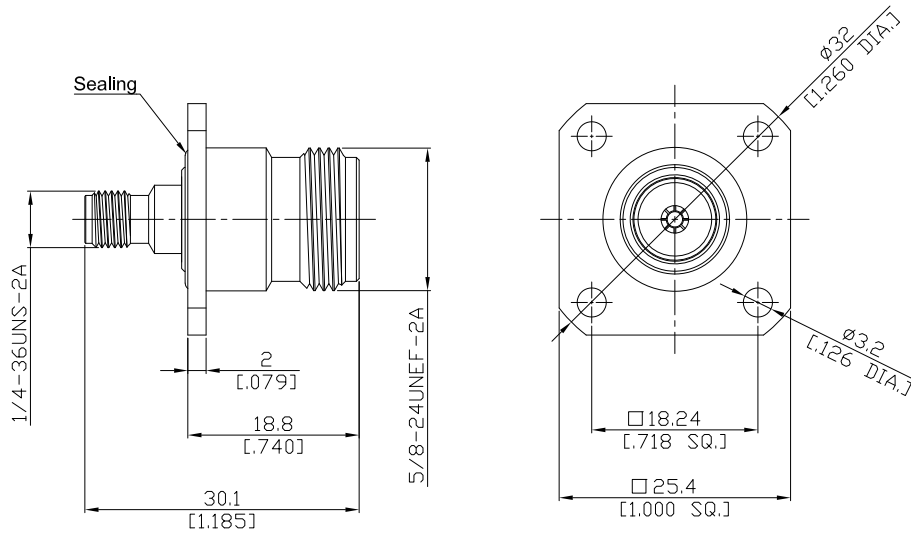


**4 Hole Panel Flange Adaptor
SMA Jack (female) / N Jack (female)**

AD-A2N25A-PF/9X-9X



All dimensions are in mm [inch]
Tolerances according to DIN ISO 2768-mH

Interface

SMA according to IEC 60169-15; MIL-C-39012; MIL-STD-348A/310
N according to IEC 60169-16; MIL-C-39012; MIL-STD-348A/304

Electrical Data

Impedance 50 Ω
Frequency DC to 11 GHz
VSWR (Return Loss) ≤ 1.2 (≥ 20.83 dB)
Insertion Loss ≤ 0.04 × √F [GHz] dB

Mechanical Data

Coupling mechanisms SMA (Screw-lock) ; N (Screw-lock)
Weight 0.0272 kg

Environmental Data

Temperature range -65°C to +165°C
RoHS compliant

Material And Plating

SMA		
Piece Parts (SMA)	Material	Plating
Centre contact	Beryllium Copper	Gold plating(Nickel underplated)
Body	Stainless Steel	Passivated
Insulator	PTFE	
N		
Piece Parts (N)	Material	Plating
Centre contact	Beryllium Copper	Gold plating(Nickel underplated)
Body	Stainless Steel	Passivated
Insulator	PTFE	
Gasket	Silicone Rubber	

Packing

Single or 100

Related Document

Mounting Dimension MD16