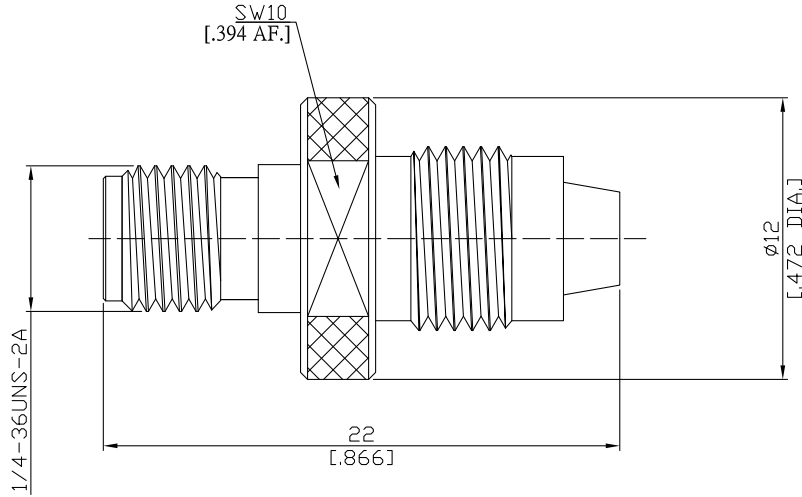




Adaptor jack/jack
SMA jack (female) / FME jack (female)

AD-A2E25A/94-94



All dimensions are in mm [inch]

Tolerances according to DIN ISO 2768-mH

Interface

According to IEC 60169-15; MIL-C-39012; MIL-STD-348A/310

Electrical Data

Impedance 50 Ω
Frequency DC to 2.5 GHz

Mechanical Data

Coupling mechanisms SMA (Screw-lock); FME (Screw-lock)
Weight 0.0046 kg

Environmental Data

Temperature range -65°C to +165°C
RoHS compliant

Material And Plating

| Piece Parts (SMA) | Material | Plating |
|-------------------|------------------|-----------------------------------|
| Centre contact | Beryllium Copper | Gold plating (Nickel underplated) |
| Body | Brass | Copper-Tin-Zinc Alloy |
| Insulator | PTFE | |
| Piece Parts (FME) | Material | Plating |
| Centre contact | Beryllium Copper | Gold plating (Nickel underplated) |
| Body | Brass | Copper-Tin-Zinc Alloy |
| Insulator | PTFE | |

Packing

Single or 100