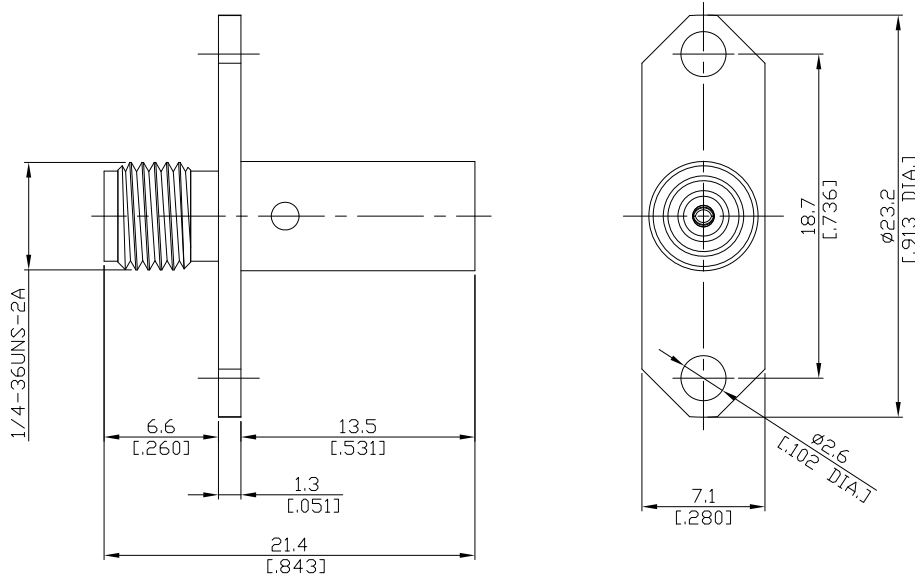


Panel adaptor jack/jack
SMA jack (female) / BMC jack (female)

AD-A2BC25A-PT/9X-9X



All dimensions are in mm [inch]
Tolerances according to DIN ISO 2768-mH

Interface

According to IEC 60169-15; MIL-C-39012; MIL-STD-348A/310

Electrical Data

Impedance 50 Ω
Frequency DC to 1 GHz

Mechanical Data

Coupling mechanisms SMA (Screw-lock) ; BMC (Slide-on)
Weight 0.0053 kg

Environmental Data

Temperature range -65°C to +165°C
RoHS compliant

Material And Plating

| Piece Parts (SMA) | Material | Plating |
|-------------------|------------------|----------------------------------|
| Centre contact | Beryllium Copper | Gold plating(Nickel underplated) |
| Body | Stainless Steel | Passivated |
| Insulator | PTFE | |
| Piece Parts (BMC) | Material | Plating |
| Centre contact | Beryllium Copper | Gold plating(Nickel underplated) |
| Body | Stainless Steel | Passivated |
| Insulator | PTFE | |

Packing

Single or 100

Related Document

Mounting Dimension MD141