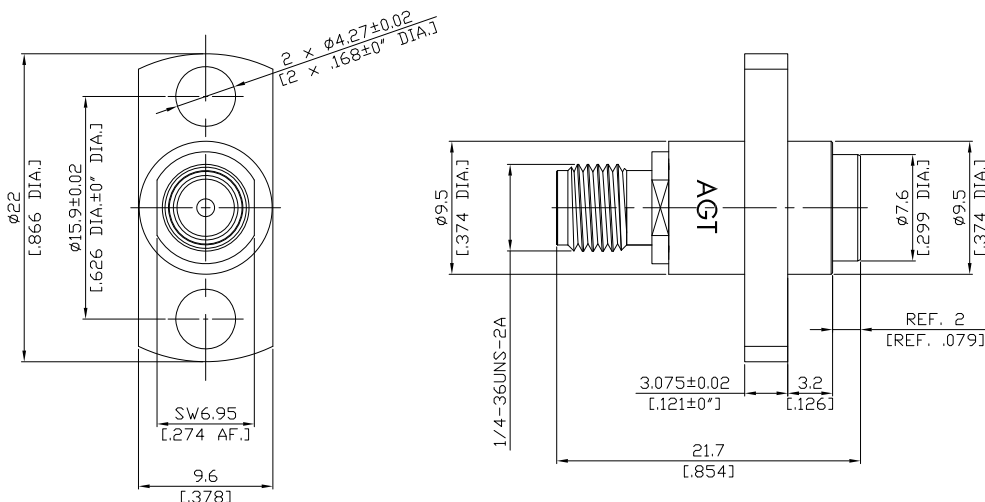




**BMA Jack (Female) to SMA Jack (Female)
2 Hole Flange Mount Slide-On Adapter**

AD-A2BA25A-PT-AGT/91X-91



All dimensions are in mm [inch]
Tolerances according to DIN ISO 2768-mH

Interface

SMA according to IEC 60169-15; MIL-STD-348A/310
BMA according to IEC 61169-33; MIL-STD-348A/321

Electrical Data

Impedance 50 Ω
Frequency DC to 6 GHz
VSWR (Return Loss) ≤ 1.10 (≥ 26.44 dB)
Insertion Loss ≤ 0.2 dB

Mechanical Data

Coupling mechanisms SMA (Screw-lock) ; BMA (Slide-on)
Weight N/A

Environmental Data

Temperature range -65°C to +165°C
RoHS compliant

Material And Plating

| Piece Parts (SMA) | Material | Plating |
|-------------------|------------------|----------------------------------|
| Centre contact | Beryllium Copper | Gold plating(Nickel underplated) |
| Body | Brass | Gold plating(Nickel underplated) |
| Insulator | PTFE | |
| Outer contact | Stainless Steel | Passivated |
| Piece Parts (BMA) | Material | Plating |
| Centre contact | Beryllium Copper | Gold plating(Nickel underplated) |
| Body | Brass | Gold plating(Nickel underplated) |
| Insulator | PTFE | |
| Spring | Stainless Steel | Passivated |

Packing

Single or 100

Related Document

Mounting Dimension MD149