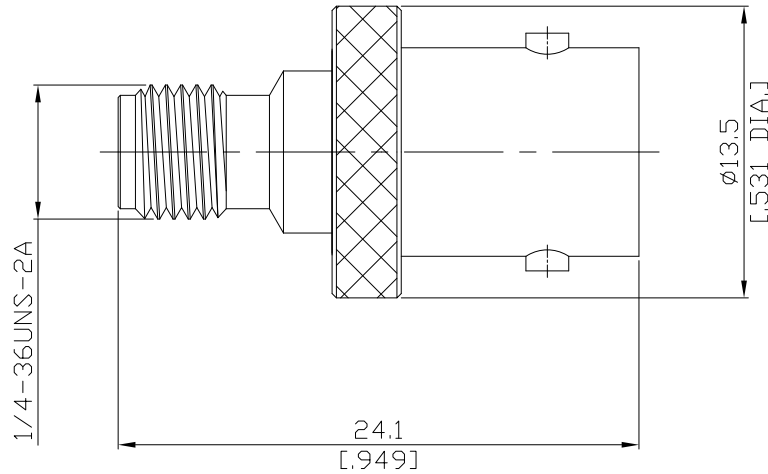




Adaptor jack/jack  
SMA jack (female) / BNC jack (female)

AD-A2B25A/H4-H4



All dimensions are in mm [inch]  
Tolerances according to DIN ISO 2768-mH

**Interface**

According to SMA Side: IEC 60169-15; MIL-C-39012; MIL-STD-348A/310  
BNC Side: IEC 60169-8; MIL-C-39012; MIL-STD-348A/301

**Electrical Data**

Impedance 50 Ω  
Frequency DC to 4 GHz  
VSWR (Return Loss) ≤ 1.15 (≥ 23.13 dB)  
Insertion Loss ≤ 0.05 x √F (GHz) dB

**Mechanical Data**

Coupling mechanisms SMA (Screw-lock) ; BNC (Bayonet-lock)  
Weight 0.0064 kg

**Environmental Data**

Temperature range -65°C to +165°C  
RoHS compliant

**Material And Plating**

| Piece Parts (SMA) | Material        | Plating                          |
|-------------------|-----------------|----------------------------------|
| Centre contact    | Phosphor Bronze | Gold plating(Nickel underplated) |
| Body              | Brass           | Copper-Tin-Zinc Alloy            |
| Insulator         | PTFE            |                                  |
| Piece Parts (BNC) | Material        | Plating                          |
| Centre contact    | Phosphor Bronze | Gold plating(Nickel underplated) |
| Body              | Brass           | Copper-Tin-Zinc Alloy            |
| Insulator         | PTFE            |                                  |

**Packing**

Single or 100