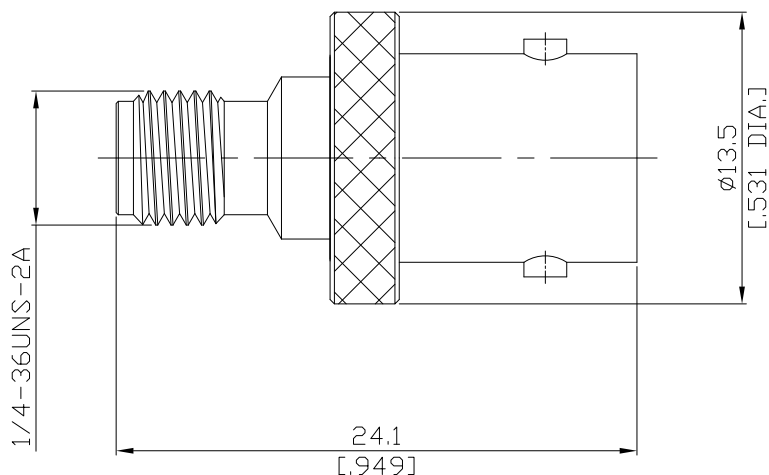


Adaptor jack/jack  
SMA jack (female) / BNC jack (female)

AD-A2B25A/91-94



All dimensions are in mm [inch]

Tolerances according to DIN ISO 2768-mH

#### Interface

According to

SMA Side: IEC 60169-15; MIL-C-39012; MIL-STD-348A/310

BNC Side: IEC 60169-8; CECC 22120; MIL-C-39012; MIL-STD-348A/301

#### Electrical Data

Impedance

50 Ω

Frequency

DC to 6 GHz

VSWR (Return Loss)

DC-4 GHz: ≤ 1.15 (≥ 23.13 dB)    4-6 GHz: ≤ 1.2 (≥ 20.83 dB)

Insertion Loss

≤ 0.05 × √F (GHz) dB

#### Mechanical Data

Coupling mechanisms

SMA (Screw-lock); BNC (Bayonet-lock)

Weight

0.0064 kg

#### Environmental Data

Temperature range

-65°C to +165°C

RoHS

compliant

#### Material And Plating

Piece Parts (SMA)	Material	Plating
Centre contact	Beryllium Copper	Gold plating(Nickel underplated)
Body	Brass	Gold plating(Nickel underplated)
Insulator	PTFE	
Piece Parts (BNC)	Material	Plating
Centre contact	Beryllium Copper	Gold plating(Nickel underplated)
Body	Brass	Copper-Tin-Zinc Alloy
Insulator	PTFE	

#### Packing

Single or 100