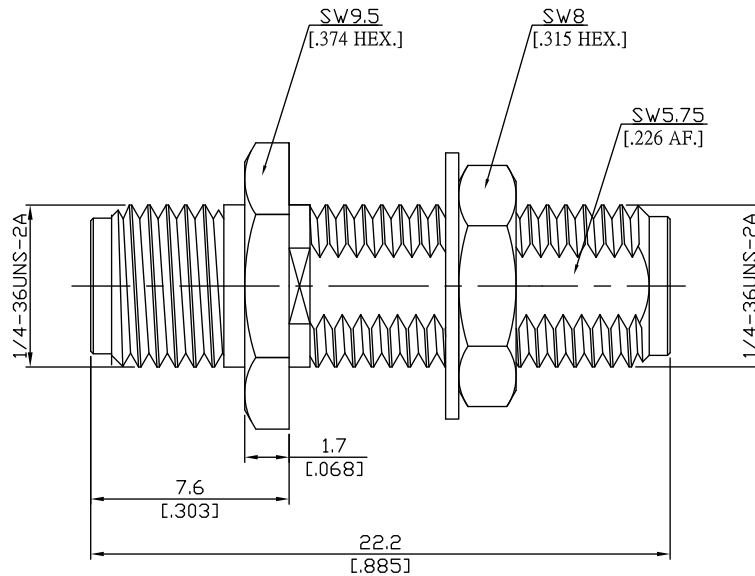


Bulkhead adaptor jack/jack  
SMA jack (female) / SMA jack (female)

AD-A2A25A-BH/9Q-9Q



All dimensions are in mm [inch]

Tolerances according to DIN ISO 2768-mH

#### Interface

According to IEC 60169-15; MIL-C-39012; MIL-STD-348A/310

#### Electrical Data

Impedance 50 Ω  
Frequency DC to 18 GHz  
VSWR (Return Loss) ≤ 1.15 (≥ 23.13 dB)  
Insertion Loss ≤ 0.05 x √F (GHz) dB

#### Mechanical Data

Coupling mechanisms Screw-lock  
Weight 0.0041 kg

#### Environmental Data

Temperature range -65°C to +125°C  
RoHS compliant

#### Material And Plating

Piece Parts (SMA)	Material	Plating
Centre contact	Beryllium Copper	Gold plating(Nickel underplated)
Body	Stainless Steel	Gold plating(Nickel underplated)
Insulator	PTFE	
Fastening nut	Brass	Copper-Tin-Zinc Alloy
Washer	Brass	Copper-Tin-Zinc Alloy
Piece Parts (SMA)	Material	Plating
Centre contact	Beryllium Copper	Gold plating(Nickel underplated)
Body	Stainless Steel	Gold plating(Nickel underplated)
Insulator	PTFE	

#### Packing

Single or 100

#### Related Document

Mounting Dimension MD3