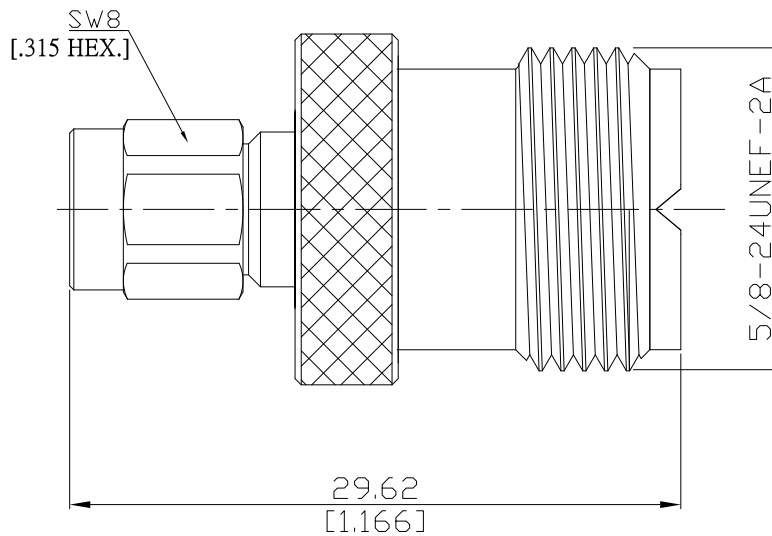


Adaptor plug/jack  
SMA plug (male) / UHF jack (female)

AD-A1U25A/H44-H4



All dimensions are in mm [inch]  
Tolerances according to DIN ISO 2768-mH

#### Interface

SMA side according to IEC 60169-15; MIL-C-39012; MIL-STD-348A/310  
UHF side according to IEC 60169-12

#### Electrical Data

Impedance 50  $\Omega$   
Frequency DC to 300 MHz  
VSWR (Return Loss)  $\leq 1.20$  ( $\geq 20.83$  dB)  
Insertion Loss  $\leq 0.05 \times \sqrt{F}$  (GHz) dB

#### Mechanical Data

Coupling mechanisms SMA (Screw-lock) ; UHF (Screw-lock)  
Weight N/A

#### Environmental Data

Temperature range -65°C to +165°C  
RoHS compliant

#### Material And Plating

Piece Parts (SMA)	Material	Plating
Centre contact	Phosphor Bronze	Gold plating(Nickel underplated)
Body	Brass	Copper-Tin-Zinc Alloy
Insulator	PTFE	
Gasket	Silicone Rubber	
Coupling nut	Brass	Copper-Tin-Zinc Alloy
Piece Parts (UHF)	Material	Plating
Centre contact	Phosphor Bronze	Gold plating(Nickel underplated)
Body	Brass	Copper-Tin-Zinc Alloy
Insulator	PTFE	

#### Packing

Single or 100