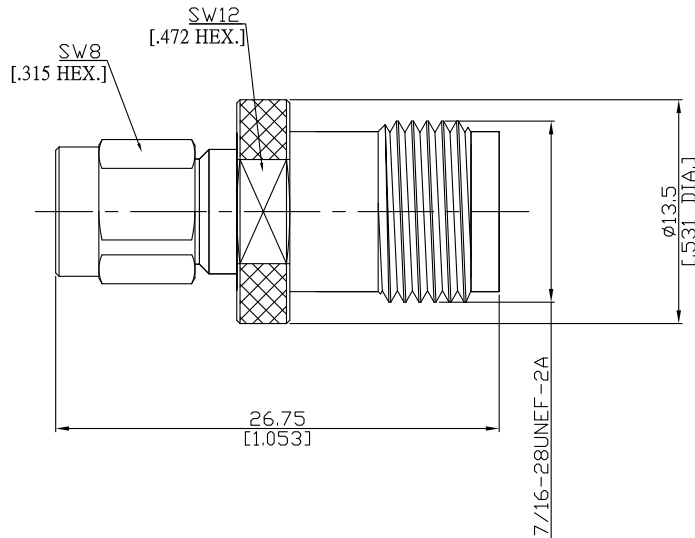




Adaptor plug/jack
SMA plug (male) / TNC jack (female)

AD-A1T25A/H11-93



All dimensions are in mm [inch]

Tolerances according to DIN ISO 2768-mH

Interface

SMA according to
TNC according to

IEC 60169-15; MIL-C-39012; MIL-STD-348A/310
IEC 60169-17; MIL-C-39012; MIL-STD-348A/313

Electrical Data

Impedance 50 Ω
Frequency DC to 18 GHz
VSWR (Return Loss) DC-11GHz: ≤ 1.20 (≥ 20.83 dB) 11-18GHz: ≤ 1.30 (≥ 17.69 dB)
Insertion Loss ≤ 0.05 x √F (GHz) dB

Mechanical Data

Coupling mechanisms SMA (Screw-lock); TNC (Screw-lock)
Weight 0.0082 kg

Environmental Data

Temperature range -65°C to +165°C
RoHS compliant

Material And Plating

Piece Parts (SMA)	Material	Plating
Centre contact	Phosphor Bronze	Gold plating(Nickel underplated)
Body	Brass	Gold plating(Nickel underplated)
Insulator	PTFE	
Gasket	Silicone Rubber	
Coupling nut	Brass	Gold plating(Nickel underplated)
Piece Parts (TNC)	Material	Plating
Centre contact	Beryllium Copper	Gold plating(Nickel underplated)
Body	Brass	Nickel
Insulator	PTFE	

Packing

Single or 100