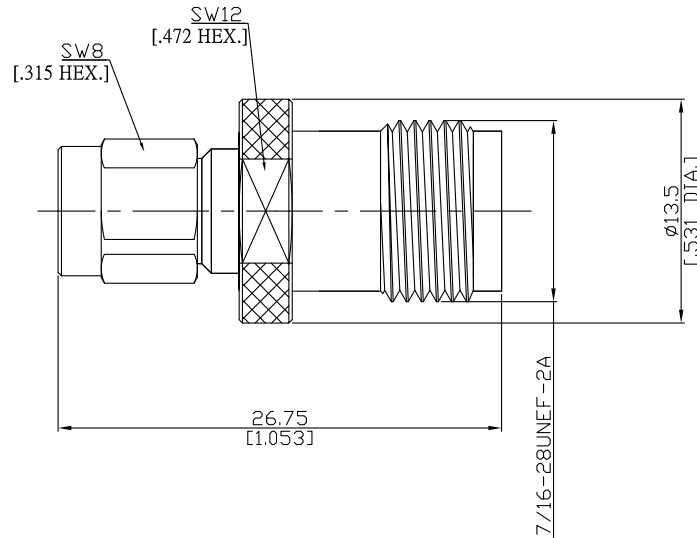


Adaptor Plug / Jack
SMA plug (male) / TNC jack (female)

AD-A1T25A/911-94



All dimensions are in mm [inch]
Tolerances according to DIN ISO 2768-mH

Interface

SMA according to IEC 60169-15; MIL-C-39012; MIL-STD-348A/310
TNC according to IEC 60169-17; MIL-C-39012; MIL-STD-348A/313

Electrical Data

Impedance 50 Ω
Frequency DC to 11 GHz
VSWR (Return Loss) ≤ 1.20 (≥ 20.8 dB)
Insertion Loss ≤ 0.05 x √F (GHz) dB

Mechanical Data

Coupling mechanisms SMA (Screw-lock); TNC (Screw-lock)
Weight 0.0082 kg

Environmental Data

Temperature range -65°C to +165°C
RoHS compliant

Material And Plating

Piece Parts (SMA)	Material	Plating
Centre contact	Beryllium Copper	Gold plating (without nickel underplating)
Body	Brass	Gold plating (without nickel underplating)
Insulator	PTFE	
Gasket	Silicone Rubber	
Coupling nut	Brass	Gold plating (without nickel underplating)
Piece Parts (TNC)	Material	Plating
Centre contact	Beryllium Copper	Gold plating (without nickel underplating)
Body	Brass	Copper-Tin-Zinc Alloy
Insulator	PTFE	

Packing

Single or 100