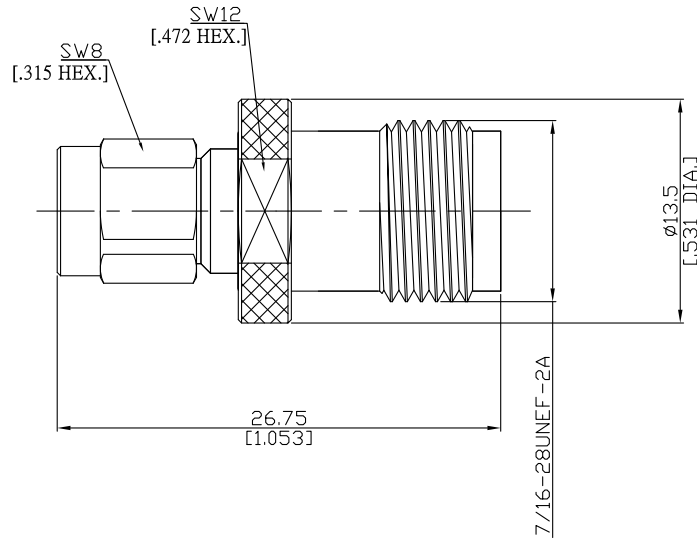


**Adaptor Plug / Jack**  
SMA plug (male) / TNC jack (female)

**AD-A1T25A/911-93**



All dimensions are in mm [inch]

Tolerances according to DIN ISO 2768-mH

**Interface**

SMA according to

IEC 60169-15; MIL-C-39012; MIL-STD-348A/310

TNC according to

IEC 60169-17; MIL-C-39012; MIL-STD-348A/313

**Electrical Data**

Impedance

50 Ω

Frequency

DC to 11 GHz

VSWR (Return Loss)

≤ 1.20 (≥ 20.8 dB)

Insertion Loss

≤ 0.05 x √F (GHz) dB

**Mechanical Data**

Coupling mechanisms

SMA (Screw-lock); TNC (Screw-lock)

Weight

0.0082 kg

**Environmental Data**

Temperature range

-65°C to +165°C

RoHS

compliant

**Material And Plating**

Piece Parts (SMA)	Material	Plating
Centre contact	Beryllium Copper	Gold plating (without nickel underplating)
Body	Brass	Gold plating (without nickel underplating)
Insulator	PTFE	
Gasket	Silicone Rubber	
Coupling nut	Brass	Gold plating (without nickel underplating)
Piece Parts (TNC)	Material	Plating
Centre contact	Beryllium Copper	Gold plating (without nickel underplating)
Body	Brass	Nickel
Insulator	PTFE	

**Packing**

Single or 100