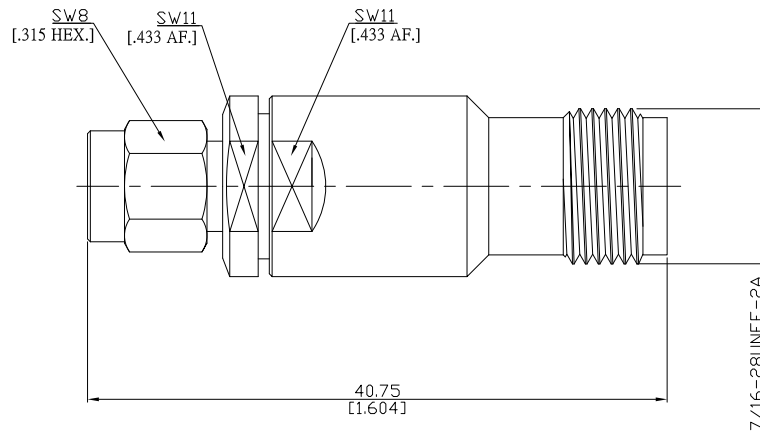


Adaptor Plug / Jack
SMA plug (male) / Precision TNC jack (female)

AD-A1PCT25A/9XX-9X



All dimensions are in mm [inch]
Tolerances according to DIN ISO 2768-mH

Interface

SMA according to IEC 60169-15; MIL-C-39012; MIL-STD-348A/310
Precision TNC according to IEC 60169-26; MIL-C-39012; MIL-STD-348A/313

Electrical Data

Impedance 50 Ω
Frequency DC to 18 GHz
VSWR (Return Loss) ≤ 1.20 (≥ 20.8 dB)
Insertion Loss ≤ 0.05 x √F [GHz] dB

Mechanical Data

Coupling mechanisms SMA (Screw-lock); Precision TNC (Screw-lock)
Weight 0.0199 kg

Environmental Data

Temperature range -55°C to +100°C
RoHS compliant

Material And Plating

| Piece Parts (SMA) | Material | Plating |
|-------------------|------------------|----------------------------------|
| Centre contact | Beryllium Copper | Gold plating(Nickel underplated) |
| Body | Stainless Steel | Passivated |
| Insulator | PTFE | |
| Gasket | Silicone rubber | |
| Coupling nut | Stainless Steel | Passivated |

| Piece Parts (Precision TNC) | Material | Plating |
|-----------------------------|------------------|----------------------------------|
| Centre contact | Beryllium Copper | Gold plating(Nickel underplated) |
| Body | Stainless Steel | Passivated |
| Insulator | PTFE | |

Packing

Single or 100