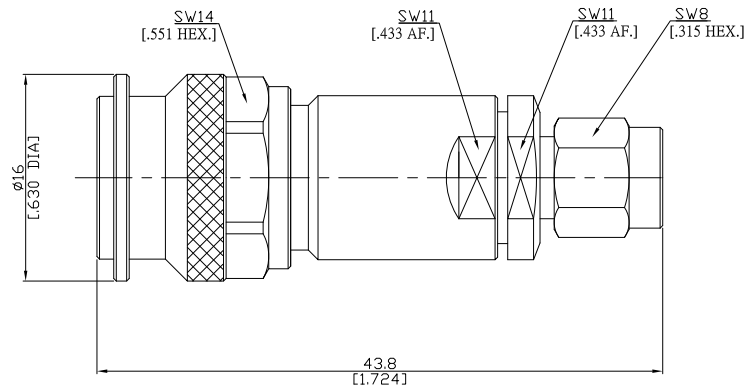


**Adaptor Plug / Plug**  
SMA plug (male) / Precision TNC plug (male)

**AD-A1PCT15A/9XX-9XX**



All dimensions are in mm [inch]

Tolerances according to DIN ISO 2768-mH

**Interface**

SMA according to IEC 60169-15; MIL-C-39012; MIL-STD-348A/310  
Precision TNC according to IEC 60169-26; MIL-C-39012; MIL-STD-348A/313

**Electrical Data**

Impedance 50 Ω  
Frequency DC to 18 GHz  
VSWR (Return Loss) ≤ 1.30 (≥ 17.69 dB)  
Insertion Loss ≤ 0.1 x √F (GHz) dB

**Mechanical Data**

Coupling mechanisms SMA (Screw-lock); Precision TNC (Screw-lock)  
Weight N/A

**Environmental Data**

Temperature range -65°C to +165°C  
RoHS compliant  
Thermal shock MIL-STD-202; Method 107; Condition B  
Corrosion MIL-STD-202; Method 101; Condition B  
Moisture resistance MIL-STD-202; Method 106  
Vibration MIL-STD-202; Method 204; Condition D  
Shock MIL-STD-202; Method 213; Condition I

**Material And Plating**

Piece Parts (SMA)	Material	Plating
Centre contact	Beryllium Copper	Gold plating(Nickel underplated)
Body	Stainless Steel	Passivated
Insulator	PTFE	
Gasket	Silicone rubber	
Coupling nut	Stainless Steel	Passivated
Piece Parts (Precision TNC)	Material	Plating
Centre contact	Beryllium Copper	Gold plating(Nickel underplated)
Body	Stainless Steel	Passivated
Insulator	PTFE	
Gasket	Silicone rubber	
Coupling nut	Stainless Steel	Passivated

**Packing**

Single or 100