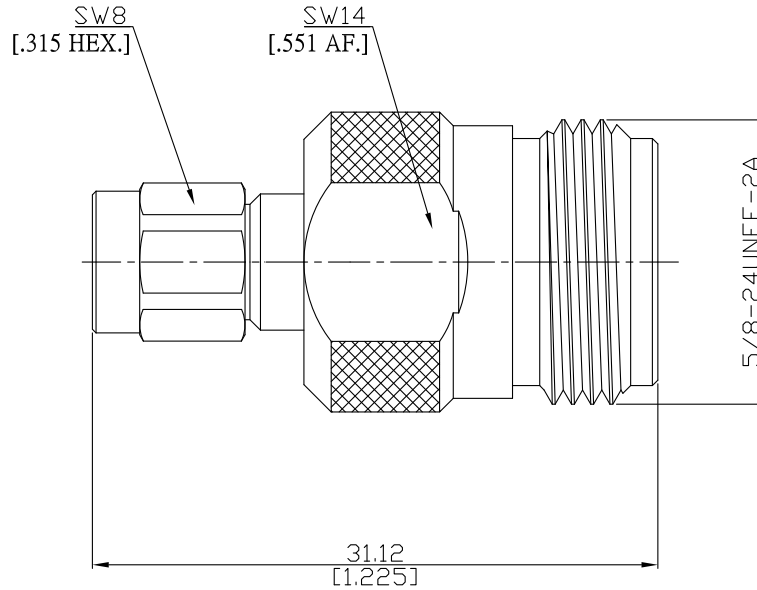


Adaptor plug/jack
SMA plug (male) / Precision N jack (female)

AD-A1PCN25B/9XX-9X



All dimensions are in mm [inch]
Tolerances according to DIN ISO 2768-mH

Interface

SMA Side According to IEC 60169-15; MIL-STD-348A/310
Precision N Side According to IEC 61169-16; MIL-STD-348A/402 ; IEEE Std 287

Electrical Data

Impedance 50 Ω
Frequency DC to 18 GHz
VSWR (Return Loss) ≤ 1.15 (≥ 23.13 dB)
Insertion Loss ≤ 0.04 x √F [GHz] dB

Mechanical Data

Coupling mechanisms SMA (Screw-lock); Precision N (Screw-lock)

Environmental Data

Temperature range -65°C to +165°C
RoHS compliant

Material And Plating

Piece Parts (SMA)	Material	Plating
Centre contact	Beryllium Copper	Gold plating(Nickel underplated)
Body	Stainless Steel	Passivated
Insulator	PTFE	
Gasket	Silicone Rubber	
Coupling nut	Stainless Steel	Passivated
Piece Parts (Precision N)	Material	Plating
Centre contact	Beryllium Copper	Gold plating(Nickel underplated)
Body	Stainless Steel	Passivated
Insulator	PTFE	

Packing

Single or 100