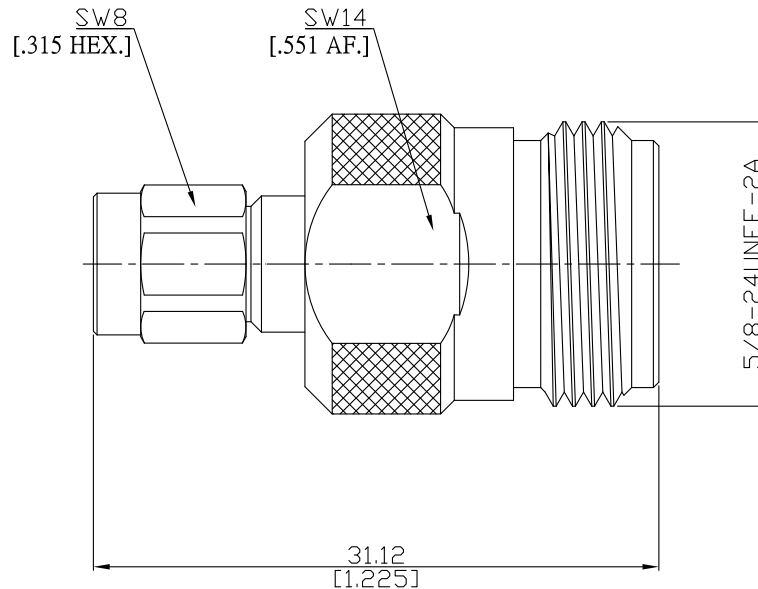


Adaptor plug/jack  
SMA plug (male) / Precision N jack (female)

AD-A1PCN25B/911-94



All dimensions are in mm [inch]  
Tolerances according to DIN ISO 2768-mH

#### Interface

SMA side according to IEC 60169-15; MIL-STD-348A/310  
Precision N side according to IEC 61169-16; MIL-STD-348A/402; IEEE Std 287

#### Electrical Data

Impedance 50  $\Omega$   
Frequency DC to 18 GHz  
VSWR (Return Loss)  $\leq 1.15$  ( $\geq 23.13$  dB)  
Insertion Loss  $\leq 0.04 \times \sqrt{F}$  (GHz) dB

#### Mechanical Data

Coupling mechanisms SMA (Screw-lock); Precision N (Screw-lock)

#### Environmental Data

Temperature range  $-65^{\circ}\text{C}$  to  $+165^{\circ}\text{C}$   
RoHS compliant

#### Material And Plating

Piece Parts (SMA)	Material	Plating
Centre contact	Beryllium Copper	Gold plating(Nickel underplated)
Body	Brass	Gold plating(Nickel underplated)
Insulator	PTFE	
Gasket	Silicone Rubber	
Coupling nut	Brass	Gold plating(Nickel underplated)
Piece Parts (Precision N)	Material	Plating
Centre contact	Beryllium Copper	Gold plating(Nickel underplated)
Body	Brass	Copper-Tin-Zinc Alloy
Insulator	PTFE	

#### Packing

Single or 100