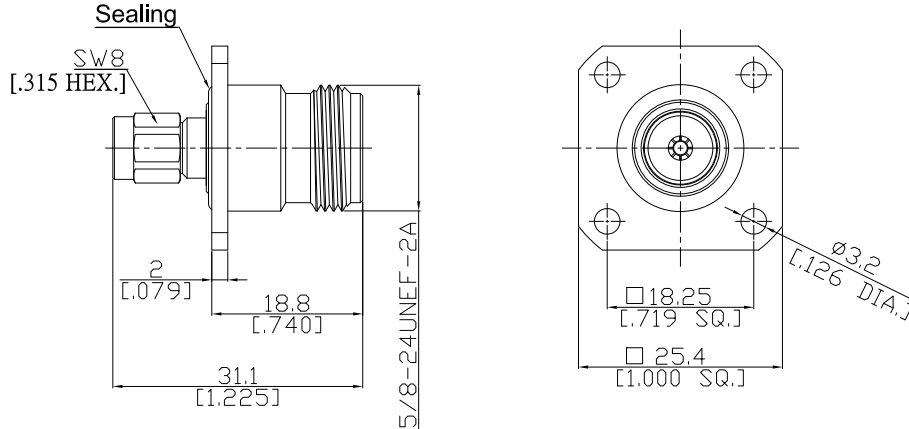


4 Hole Panel Flange Adaptor
SMA Plug (male) / Precision N Jack (female)

AD-A1PCN25A-PF/H11-H4



All dimensions are in mm [inch]
Tolerances according to DIN ISO 2768-mH

Interface

SMA according to IEC 60169-15; MIL-C-39012; MIL-STD-348A/310
Precision N according to IEC 61169-16; MIL-C-39012; MIL-STD-348A/402; IEEE Std 287-2007

Electrical Data

Impedance 50 Ω
Frequency DC to 18 GHz
VSWR (Return Loss) ≤ 1.15 (≥ 23.1 dB)
Insertion Loss ≤ 0.04 x √F (GHz) dB

Mechanical Data

Coupling mechanisms SMA (Screw-lock) ; Precision N (Screw-lock)
Weight 0.0281 kg

Environmental Data

Temperature range -65°C to +165°C
RoHS compliant

Material And Plating

Piece Parts (SMA)		
Piece Parts (SMA)	Material	Plating
Centre contact	Phosphor Bronze	Gold plating(Nickel underplated)
Body	Brass	Gold plating(Nickel underplated)
Insulator	PTFE	
Gasket	Silicone Rubber	
Coupling nut	Brass	Gold plating(Nickel underplated)
Piece Parts (Precision N)		
Piece Parts (Precision N)	Material	Plating
Centre contact	Phosphor Bronze	Gold plating(Nickel underplated)
Body	Brass	Copper-Tin-Zinc Alloy
Insulator	PTFE	
Gasket	Silicone Rubber	

Packing

Single or 100

Related Document

Mounting Dimension MD16