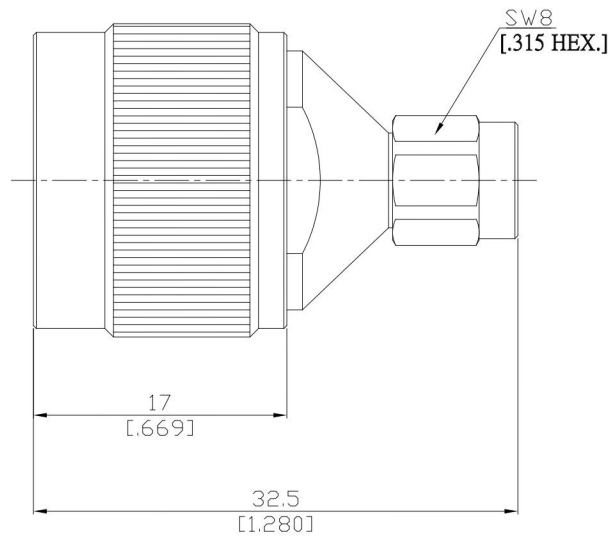


Adaptor plug/plug  
SMA plug (male) / Precision N plug (male)

AD-A1PCN15C/9XX-9XX



All dimensions are in mm [inch]  
Tolerances according to DIN ISO 2768-mH

**Interface**

SMA Side According to IEC 60169-15; MIL-STD-348A/310  
Precision N Side According to IEC 61169-16; MIL-STD-348A/402; IEEE Std 287

**Electrical Data**

Impedance 50 Ω  
Frequency DC to 18 GHz  
VSWR (Return Loss) DC-12.4 GHz: ≤ 1.05 + 0.005fGHz      12.4-18 GHz: ≤ 0.83 + 0.023fGHz  
Insertion Loss ≤ 0.04 × √F (GHz) dB

**Mechanical Data**

Coupling mechanisms SMA (Screw-lock); Precision N (Screw-lock)

**Environmental Data**

Temperature range -65°C to +100°C  
RoHS compliant

**Material And Plating**

Piece Parts (SMA)	Material	Plating
Centre contact	Beryllium Copper	Gold plating(Nickel underplated)
Body	Stainless Steel	Passivated
Insulator	PTFE	
Gasket	Silicone Rubber	
Coupling nut	Stainless Steel	Passivated

Piece Parts (Precision N)	Material	Plating
Centre contact	Beryllium Copper	Gold plating(Nickel underplated)
Body	Stainless Steel	Passivated
Insulator	PS	
Gasket	Silicone Rubber	
Coupling nut	Stainless Steel	Passivated

**Packing**

Single or 100