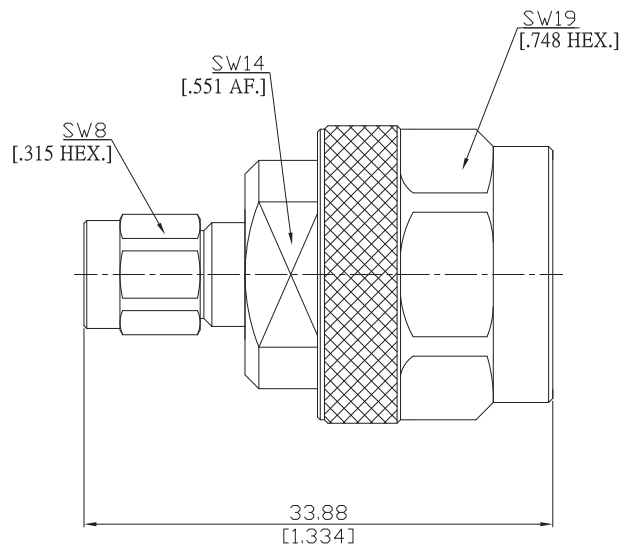


Adaptor plug/plug
SMA plug (male) / Precision N plug (male)

AD-A1PCN15B/933-933



All dimensions are in mm [inch]
Tolerances according to DIN ISO 2768-mH

Interface

SMA according to IEC 60169-15; MIL-C-39012; MIL-STD-348A/310
Precision N according to IEC 60169-16; CECC 22 210; MIL-C-39012; MIL-STD-348A/304

Electrical Data

Impedance 50 Ω
Frequency DC to 18 GHz
VSWR (Return Loss) ≤ 1.15 (≥ 23.13 dB)
Insertion Loss ≤ 0.04 x √F [GHz] dB

Mechanical Data

Coupling mechanisms SMA (Screw-lock); Precision N (Screw-lock)

Environmental Data

Temperature range -65°C to +165°C
RoHS compliant

Material And Plating

Piece Parts (SMA)	Material	Plating
Centre contact	Beryllium Copper	Gold plating(Nickel underplated)
Body	Brass	Nickel
Insulator	PTFE	
Gasket	Silicone Rubber	
Coupling nut	Brass	Nickel

Piece Parts (Precision N)	Material	Plating
Centre contact	Beryllium Copper	Gold plating(Nickel underplated)
Body	Brass	Nickel
Insulator	PTFE	
Coupling nut	Brass	Nickel

Packing

Single or 100