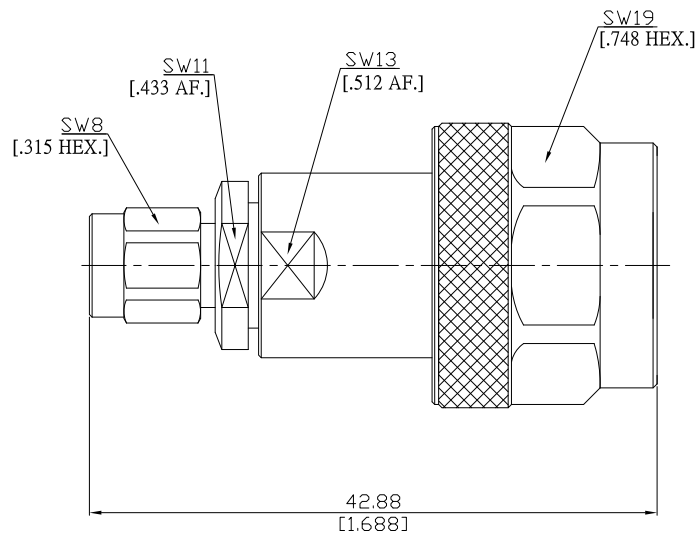


Adaptor Plug / Plug
SMA plug (male) / Precision N plug (male)

AD-A1PCN15A/9XX-9XX



All dimensions are in mm [inch]

Tolerances according to DIN ISO 2768-mH

Interface

SMA according to

IEC 60169-15; MIL-C-39012; MIL-STD-348A/310

Precision N according to

IEC 60169-16 ; IEEE Std 287-2007; MIL-STD-348A/402

Electrical Data

Impedance

50 Ω

Frequency

DC to 18 GHz

VSWR (Return Loss)

≤ 1.15 (≥ 23.1 dB)

Insertion Loss

≤ 0.04 × √F [GHz] dB

Mechanical Data

Coupling mechanisms

SMA (Screw-lock) ; Precision N (Screw-lock)

Environmental Data

Temperature range

-60°C to +100°C

RoHS

compliant

Material And Plating

Piece Parts (SMA)	Material	Plating
Centre contact	Beryllium Copper	Gold plating(Nickel underplated)
Body	Stainless Steel	Passivated
Insulator	PTFE	
Gasket	Silicone Rubber	
Coupling nut	Stainless Steel	Passivated
Piece Parts (Precision N)	Material	Plating
Centre contact	Beryllium Copper	Gold plating(Nickel underplated)
Body	Stainless Steel	Passivated
Insulator	PS	
Gasket	Silicone Rubber	
Coupling nut	Stainless Steel	Passivated

Packing

Single or 100