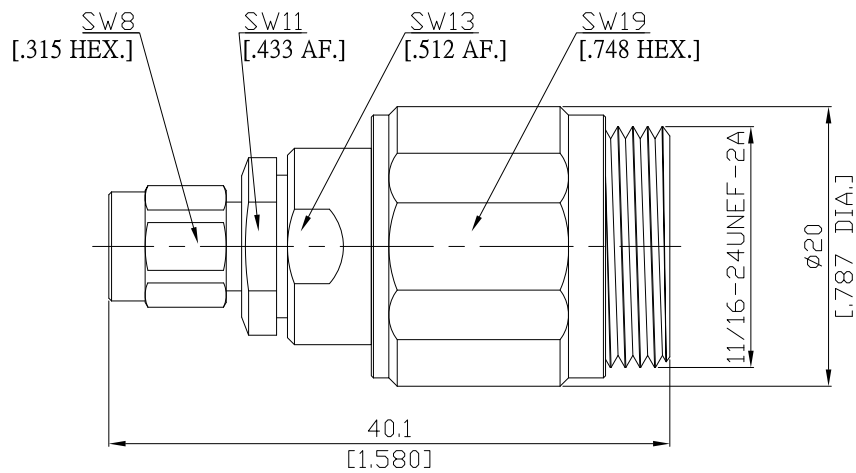


Adaptor Plug / Sexless
SMA plug (male) / 7mm sexless

AD-A1P7X5A/9XX-9XX



All dimensions are in mm [inch]
Tolerances according to DIN ISO 2768-mH

Interface

SMA according to IEC 60169-15; MIL-STD-348A/310
7mm according to IEC 457-2

Electrical Data

Impedance: 50 Ω
Frequency: DC to 18 GHz
VSWR (Return Loss): ≤ 1.15 (≥ 23.1 dB)
Insertion Loss: $\leq 0.04 \times \sqrt{F}$ (GHz) dB

Mechanical Data

Coupling mechanisms: SMA (Screw-lock); 7mm (Screw-lock)

Environmental Data

Temperature range: -55°C to +70°C
RoHS: compliant

Material And Plating

Piece Parts (SMA)	Material	Plating
Centre contact	Beryllium Copper	Gold plating(Nickel underplated)
Body	Stainless Steel	Passivated
Insulator	PTFE	
Gasket	Silicone Rubber	
Coupling nut	Stainless Steel	Passivated
Piece Parts (7mm)	Material	Plating
Centre contact	Beryllium Copper	Gold plating(Nickel underplated)
Body	Stainless Steel	Passivated
Insulator	PS	
Coupling nut	Stainless Steel	Passivated

Packing

Single or 100