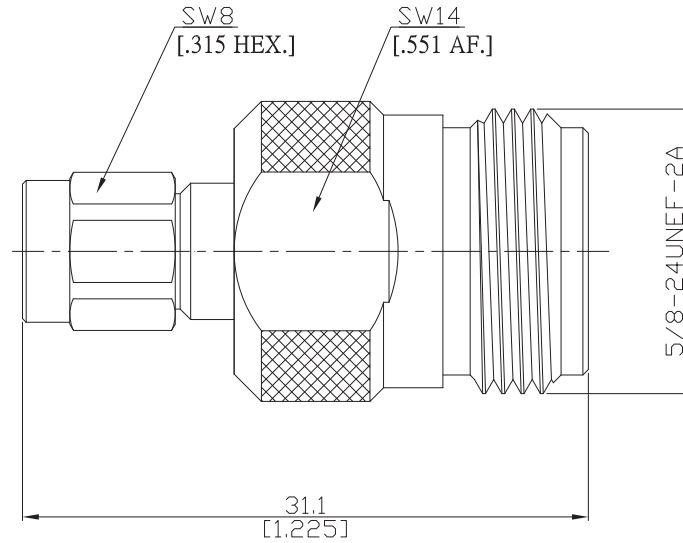


Adaptor plug/jack  
SMA plug (male) / N jack (female)

AD-A1N25A/HXX-HX



All dimensions are in mm [inch]

Tolerances according to DIN ISO 2768-mH

#### Interface

SMA According to  
N According to

MIL-C-39012; MIL-STD-348A/310  
MIL-C-39012; MIL-STD-348A/304

#### Electrical Data

Impedance 50  $\Omega$   
Frequency DC to 12 GHz  
VSWR (Return Loss)  $\leq 1.15$  ( $\geq 23.13$  dB)  
Insertion Loss  $\leq 0.05 \times \sqrt{F}$  (GHz) dB

#### Mechanical Data

Coupling mechanisms SMA (Screw-lock) ; N (Screw-lock)  
Weight 0.0208 kg

#### Environmental Data

Temperature range -65°C to +165°C  
RoHS compliant

#### Material And Plating

Piece Parts (SMA)	Material	Plating
Centre contact	Phosphor Bronze	Gold plating(Nickel underplated)
Body	Stainless Steel	Passivated
Insulator	PTFE	
Gasket	Silicone Rubber	
Coupling nut	Stainless Steel	Passivated
Piece Parts (N)	Material	Plating
Centre contact	Phosphor Bronze	Gold plating(Nickel underplated)
Body	Stainless Steel	Passivated
Insulator	PTFE	

#### Packing

Single or 100