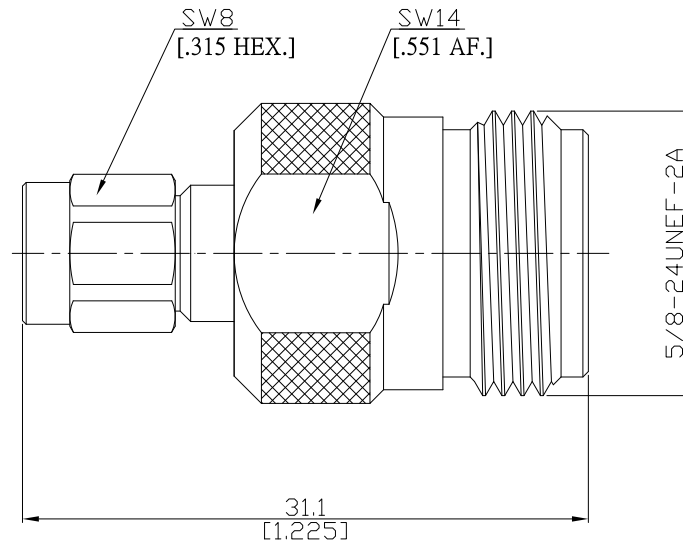




Adaptor plug/jack
SMA plug (male) / N jack (female)

AD-A1N25A/H44-H4



All dimensions are in mm [inch]

Tolerances according to DIN ISO 2768-mH

Interface

SMA According to
N According to

IEC 60169-15; MIL-C-39012; MIL-STD-348A/310
IEC 61169-16; CECC 22210; MIL-C-39012; MIL-STD-348A/304

Electrical Data

Impedance 50 Ω
Frequency DC to 12 GHz
VSWR (Return Loss) ≤ 1.15 (≥ 23.13 dB)
Insertion Loss ≤ 0.05 x √F (GHz) dB

Mechanical Data

Coupling mechanisms SMA (Screw-lock) ; N (Screw-lock)
Weight 0.0208 kg

Environmental Data

Temperature range -65°C to +165°C
RoHS compliant

Material And Plating

| Piece Parts (SMA) | Material | Plating |
|-------------------|-----------------|----------------------------------|
| Centre contact | Phosphor Bronze | Gold plating(Nickel underplated) |
| Body | Brass | Copper-Tin-Zinc Alloy |
| Insulator | PTFE | |
| Gasket | Silicone Rubber | |
| Coupling nut | Brass | Copper-Tin-Zinc Alloy |
| Piece Parts (N) | Material | Plating |
| Centre contact | Phosphor Bronze | Gold plating(Nickel underplated) |
| Body | Brass | Copper-Tin-Zinc Alloy |
| Insulator | PTFE | |

Packing

Single or 100