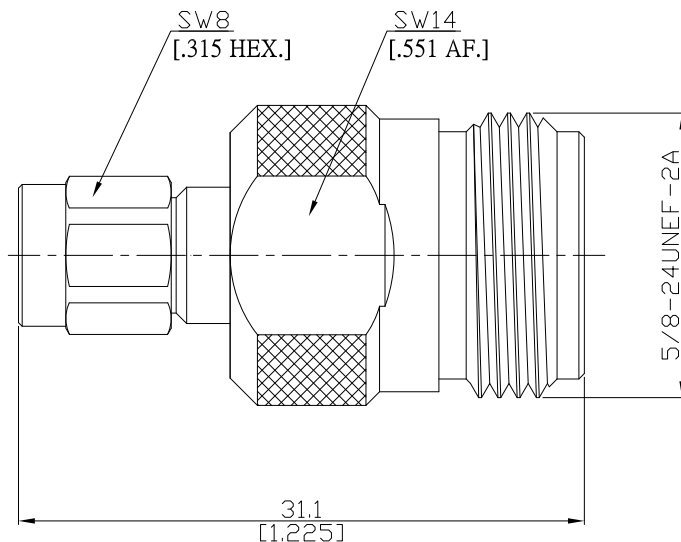


Adaptor plug/jack  
SMA plug (male) / N jack (female)

AD-A1N25A/H33-H3



All dimensions are in mm [inch]

Tolerances according to DIN ISO 2768-mH

#### Interface

SMA According to

MIL-C-39012; MIL-STD-348A/310

N According to

MIL-C-39012; MIL-STD-348A/304

#### Electrical Data

Impedance

50 Ω

Frequency

DC to 12 GHz

VSWR (Return Loss)

≤ 1.15 (≥ 23.13 dB)

Insertion Loss

≤ 0.05 x √F (GHz) dB

#### Mechanical Data

Coupling mechanisms

SMA (Screw-lock) ; N (Screw-lock)

Weight

0.0208 kg

#### Environmental Data

Temperature range

-65°C to +165°C

RoHS

compliant

#### Material And Plating

Piece Parts (SMA)	Material	Plating
Centre contact	Phosphor Bronze	Gold plating(Nickel underplated)
Body	Brass	Nickel
Insulator	PTFE	
Gasket	Silicone Rubber	
Coupling nut	Brass	Nickel
Piece Parts (N)	Material	Plating
Centre contact	Phosphor Bronze	Gold plating(Nickel underplated)
Body	Brass	Nickel
Insulator	PTFE	

#### Packing

Single or 100