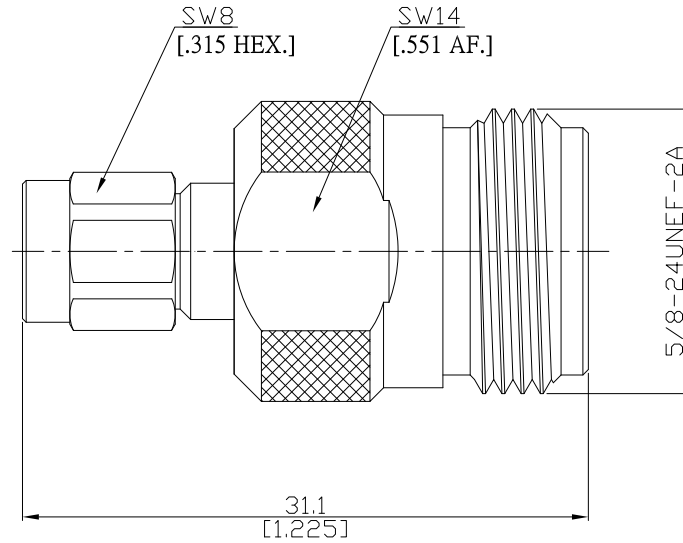




Adaptor plug/jack
SMA plug (male) / N jack (female)

AD-A1N25A/H11-H4



All dimensions are in mm [inch]

Tolerances according to DIN ISO 2768-mH

Interface

SMA According to
N According to

IEC 60169-15; MIL-C-39012; MIL-STD-348A/310
IEC 61169-16; CECC 22210; MIL-C-39012; MIL-STD-348A/304

Electrical Data

Impedance 50 Ω
Frequency DC to 12 GHz
VSWR (Return Loss) ≤ 1.15 (≥ 23.13 dB)
Insertion Loss ≤ 0.05 x √F (GHz) dB

Mechanical Data

Coupling mechanisms SMA (Screw-lock) ; N (Screw-lock)
Weight 0.0208 kg

Environmental Data

Temperature range -65°C to +165°C
RoHS compliant

Material And Plating

Piece Parts (SMA)	Material	Plating
Centre contact	Phosphor Bronze	Gold plating(Nickel underplated)
Body	Brass	Gold plating(Nickel underplated)
Insulator	PTFE	
Gasket	Silicone Rubber	
Coupling nut	Brass	Gold plating(Nickel underplated)
Piece Parts (N)	Material	Plating
Centre contact	Phosphor Bronze	Gold plating(Nickel underplated)
Body	Brass	Copper-Tin-Zinc Alloy
Insulator	PTFE	

Packing

Single or 100